

Swivel Unit with electric drive
IGK 90-80 with SEW brake (frequency converter),
3x6 pole plug

EKS 100.5 MS04

Spare Parts

Pos.	Part no.	Quantity	Description	Type	Flag.
100	257083	1	housing complete	EKS 100.2	
110	226363	1	drive shaft	KS 80.2/KS 100.2	
120	220100	1	strap complete	KS 100	
130	257766	1	fork piece complete	EKS 100.2	
140	209909	1	bolt	PFS 200	
150	209910	1	bolt	DSF	
170	231981	2	supporting roller complete	KS 100	
180	237054	2	supporting plate	PFS 200	
200	220184	2	needle bush complete	KS 80	
210	211429	2	axial needle ring	Ø45,0/65,0 x 3,0	
220	211430	4	axial washer	Ø45,0/65,0 x 1,0	
230	222690	2	hexagon socket head cap screw	M 6 x 12 DIN 7984	
240	200976	2	securing spring washer	S 6,0	
250	200618	2	set screw	M 5 x 10 DIN 915	
260		1	ring buffer	depending on opening angle	
	432876	1	washer for buffer	EKS 100.5	
280	200589	1	set screw	M 6 x 12 DIN 914	
290	201703	1	o-ring	20,00 x 4,00	
400	270023	1	drive complete	EKS 100.5 MS04	
500	200224	4	hexagon socket head cap screw	M 8 x 30 DIN 912	
510	200977	4	securing spring washer	S 8,0	
600	233537	1	swivel traverse complete	KS 80.2/100.2	

spare parts sets / accessories

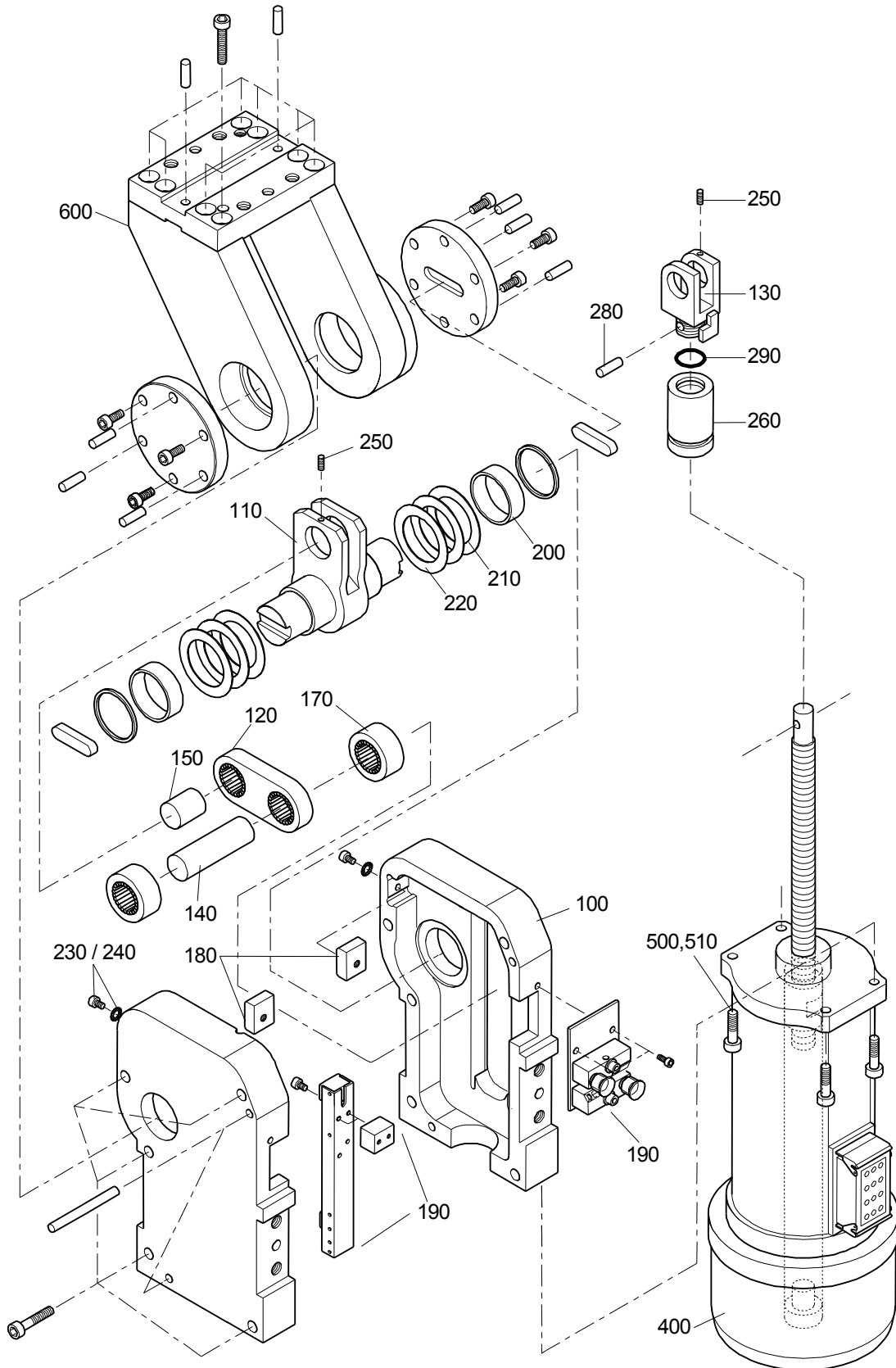
Pos.	Part no.	Quantity	Description	Type	
190	257086	1	limit switch set complete T12	EKS 100.2	
Pos. 400 includes:					
	270021	1	electric motor complete	IGK 90-80	
	267727	1	converter complete	EKS 100.2 MS04 3x6 pole	
	266506	1	ball screw complete	EKS 100.2	



Swivel Unit with electric drive

IGK 90-80 with SEW brake (frequency converter),
3x6 pole plug

EKS 100.5 MS04



Subject to technical modifications.

16.01.2018