

Swivel Unit with electric drive
IGK 135-80 with SEW brake (frequency converter),
3x6 pole plug

EKS 200.5 MS04

Spare Parts

Pos.	Part no.	Quantity	Description	Type	Flag
100	265284	1	housing complete	EKS 160.2	
110	233528	1	drive shaft	KS 125.2	
120	226620	1	strap complete	KS 125.2	
130	260106	1	fork piece complete	EKS 160.2	
140	209899	1	bolt	PFS 400	
150	209901	1	bolt	PFS 400	
170	210310	2	supporting roller complete	PFS 400/900	
180	267432	1	stop plate	KS 125.2	
200	225135	2	needle bush complete	KS 125	
210	211529	2	axial needle ring	Ø 70.0/50.0 x 3.0	
220	211530	4	axial washer	Ø 50.0/70.0 x 1.0	
230	200430	2	cap screw	M 8 x 18 DIN 6912	
240	200977	2	lock washer	S 8.0	
250	200624	2	set screw	M 6 x 16 DIN 915	
260		1	ring buffer	depending on opening angle	
	472901	1	washer for buffer	EKS 200.5	
270	269224	1	set screw	EKS 200.2	
280	200589	1	o-ring	M 6 x 12 DIN 914	
290	201727	1	drive complete	26.00 x 4.00	
400	279656	1	cap screw	EKS 200.5 MS04	
500	200258	4	lock washer	M 10 x 30 DIN 912	
510	200978	4	swivel traverse complete	S 10.0	
600	233546	1	needle bush complete	KS 125.2	

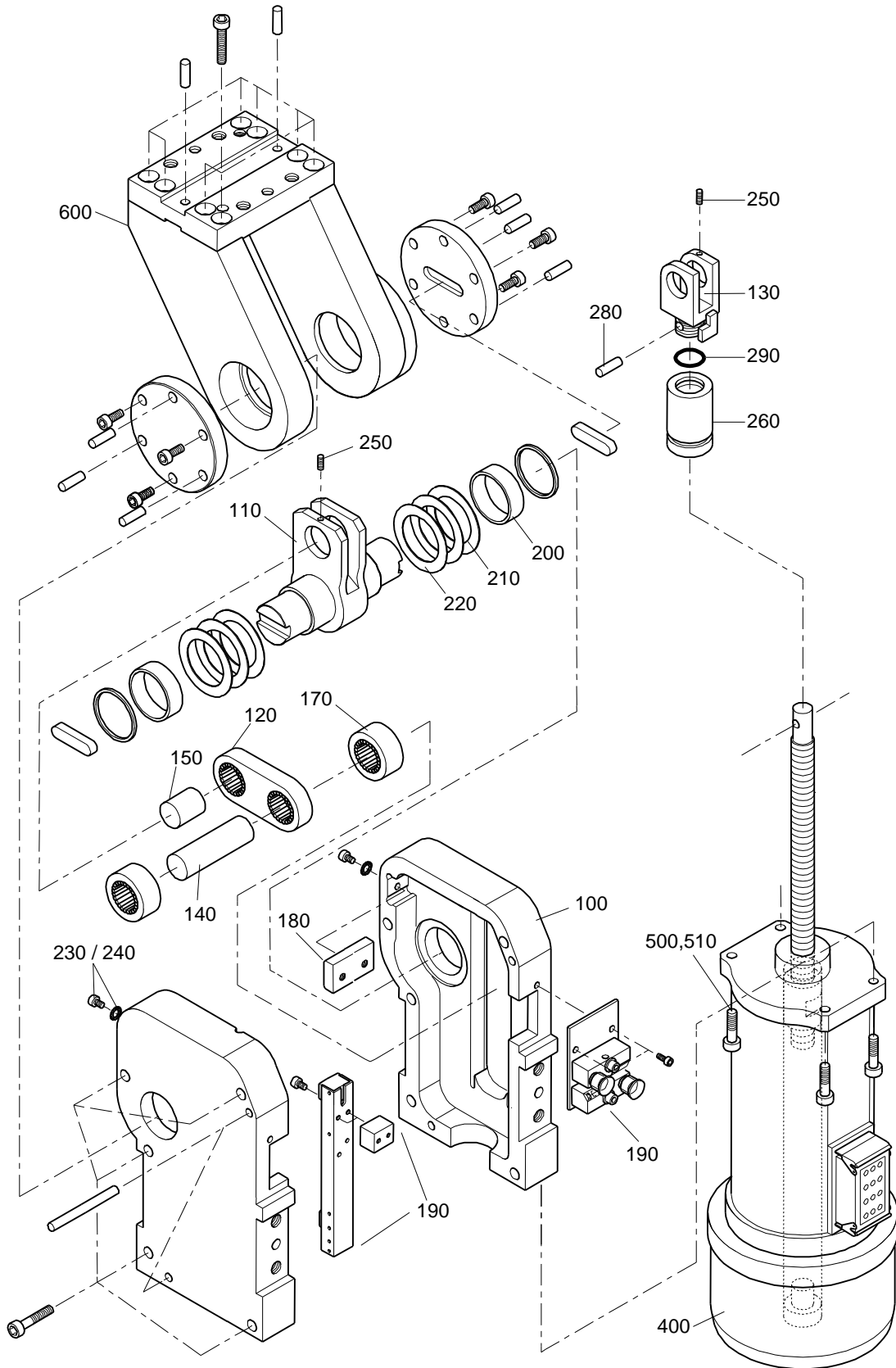
spare parts sets / accessories

Pos.	Part no.	Quantity	Description	Type	
190	259720	1	limit switch set complete T12	EKS 160.2	
Pos. 400 includes					
	279630	1	electric motor complete	IGK 135-80	
	279655	1	converter complete	EKS 200.5 MS04 3x6 pole	
	279631	1	ball screw complete	EKS 200.5	

Swivel Unit with electric drive

IGK 135-80 with SEW brake (frequency converter),
3x6 pole plug

EKS 200.5 MS04



Subject to technical modifications.

TÜNKERS® Maschinenbau GmbH Am Rosenkoth 8 • D-40880 Ratingen

Tel. 02102 4517-0 • Fax 02102 445808 Internet www.tuenkers.de

TÜNKERS®
Erfindergeist serienmäßig.

25.01.2018