

Swivel Unit Spare Parts List

(until week 13/2012)

KS/KS2 100.6

Spare Parts

Pos.	Part no.	Quantity	Description	Type	Flag ¹
100	279820	1.00	housing cpl.	KS 100.6 / KS 80.6	
110	226363	1.00	drive shaft	KS 100.2 / KS 80.2	R
120	353829	1.00	strap cpl.	KS 100.6	R
130	274417	1.00	fork piece cpl.	KS 100.2 / KS 80.2	
140	209909	1.00	bolt	PFS 200	R
150	209910	1.00	bolt	DSF	R
160	223924	1.00	slide	KSD 63	
170	231981	2.00	supporting roller cpl.	KS 100 / KS 80	R
180	237054	2.00	supporting plate	KS 80.2	R
200	220184	2.00	needle bush cpl.	KS 80	R
210	211429	2.00	axial-needle ring	Ø 45,0/65,0 x 3,0	R
220	211430	4.00	axial-disc	Ø 45,0/65,0 x 1,0	R
230	245673	2.00	hex. socket head cap screw	M 6 x 12 DIN 6912	R
240	200976	2.00	securing spring washer	S 6,0	R
250	200618	2.00	set screw	M5 x 10 DIN 915	R
300	226391	1.00	cylinder receiver	KS 100.1	
310	226389	1.00	cylinder head	KS 100.1	
320		1.00	cylinder pipe, variable	depending on opening angle	
330	206964	1.00	cylinder bottom	KS 100	
340	204822	1.00	piston	KN 100	
350	226387	1.00	piston rod	KS 100.1	
360	226364	1.00	brake sleeve	KS 100.1	
370	234582	1.00	brake sleeve	KS 80.2	
380	234405	2.00	throttle screw	KS 80-200	
390		4.00	tension rod, variable	depending on opening angle	
400	212563	1.00	scraper	30/38,0x 7,00/4,0	RD
410	212588	1.00	rod seal	Ø 30/Ø 39,0 x 3,0	RD
420	220220	1.00	driving band	15 x 2,5 x 100	RD
425	201658	2.00	o-ring	8,00 x 2,00	RD
430	201702	1.00	o-ring	20,00 x 3,00	RD
440	201905	2.00	o-ring	100,00 x 3,00	RD
450	212620	1.00	glide seal set	Ø 100/87,5x5,60	RD
460	230909	1.00	cushion ring	Ø 30,6/40,0 x 6,0	RD
470	230910	1.00	cushion ring	Ø 36,6/46,0 x 6,0	RD
480	220669	310 mm	driving band	5,6 x 2,50	RD
490	200729	4.00	hexagon nut, self-locking	M 10 DIN 985	
500	200221	4.00	hex. socket head cap screw	M 8 x 25 DIN 912	
510	200977	4.00	securing spring washer	S 8,0	
520	211484	2.00	circular self-locking rings	ZJ 12,0	
530	200487	2.00	hex. socket countersunk head screw	M 6 x 12 DIN 7991	
600	233537	1.00	swivel traverse cpl.	KS 100.2 / KS 80.2	

spare parts sets / accessories

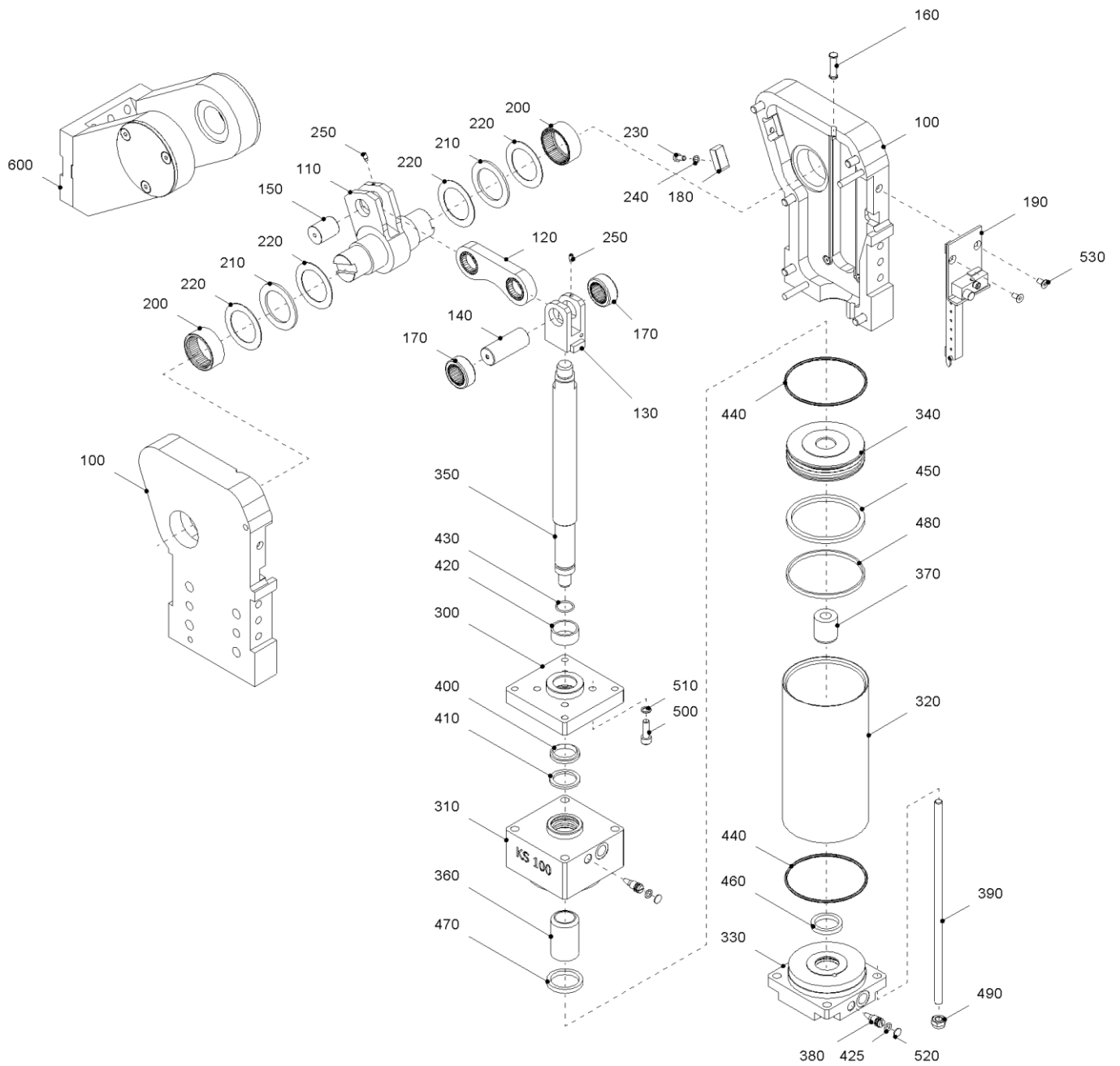
Pos.	Part no.	Quantity	Description	Type	
	364336	1.00	repair kit	KS/KS2 100.6	
	239360	1.00	seal kit	KS 100.2	
190	353406	1.00	limit switch set cpl. T12	KS 100.5 / KS 80.5	

¹ R = included with repair kit, D = included with seal kit



Swivel Unit Spare Parts Drawing (until week 13/2012)

KS/KS2 100.6



Subject to technical modifications.

08.06.2016