

Swivel Unit

Spare Parts List (week 28/2012-03/2017)

KS/KS2 125.6

Spare Parts

Pos.	Part no.	Quantity	Description	Type	Flag ¹
100	274623	1.00	housing complete	KS 125.2/160.2/200.2	
110	233528	1.00	drive shaft	KS 125.2	R
120	274341	1.00	strap complete	KS 125	R
130	275169	1.00	fork piece complete	KS 125	
140	209899	1.00	bolt	PFS 400	R
150	209901	1.00	bolt	PFS 400	R
160	274418	1.00	slide	KS 80.5 – KS 80.6	
170	210310	2.00	supporting roller complete	PFS 400/900	R
180	267432	1.00	stop plate	KS 125.2	R
200	225135	2.00	needle bush complete	KS 125	R
210	211529	2.00	axial-needle ring	Ø 70,0/50,0 x 3,0	R
220	211530	4.00	axial-disc	Ø 50,0/70,0 x 1,0	R
230	200430	2.00	hex. socket head cap screw	M 8 x 18 DIN 6912	R
240	200977	2.00	securing spring washer	S 8,0	R
250	200624	2.00	set screw	M 6 x 16 DIN 915	R
300	226400	1.00	cylinder receiver	KS 125.1	
310	294956	1.00	cylinder head	KS 125.2 BR2	
320		1.00	cylinder pipe, variable	depending on opening angle	
330	294951	1.00	cylinder bottom	KS 125.2 BR2	
340	204828	1.00	piston	KS 125	
350	226407	1.00	piston rod	KS 125.1	
360	226398	1.00	brake sleeve	KS 125.1	
370	202821	1.00	brake sleeve	KS 125	
380	295987	2.00	throttle screw	G ¼ - type B	
390		4.00	tension-rod, variable	depending on opening angle	
400	212559	1.00	scraper	40/ 48,0 x 7,0x 4,0	RD
410	212591	1.00	rod seal	Ø 40/Ø 49,0 x 2,8	RD
420	281911	1.00	driving band	12,0 x 2,00 x 150	RD
430	201731	1.00	o-ring	28,00 x 3,00	RD
440	201946	2.00	o-ring	125,00 x 3,00	RD
450	212267	1.00	glide seal set	Ø 125/112,5 x 5,60	RD
460	230908	2.00	cushion ring	Ø 50,6/60,0 x 6,0	RD
480	281910	1.00	driving band	5,6 x 2,5 x 420	RD
490	200729	4.00	hexagon nut, self-locking	M 10 DIN 985	
500	200257	4.00	hex. socket head cap screw	M 10 x 25 DIN 912	
510	200978	4.00	securing spring washer	S 10,0	
520	227487	4.00	expander sealing plug	MB 700-070	RD
530	200487	2.00	hex. socket countersunk head screw	M 6 x 12 DIN 7991	
600	233546	1.00	swivel traverse complete	KS 125.2/160.2/200.2	

spare parts sets / accessories

Pos.	Part no.	Quantity	Description	Type	
	364407	1.00	repair kit	KS 125.6	
	364408	1.00	seal kit	KS 125.2	
190	353400	1.00	limit switch set complete T12	KS 125.5/160.5/200.5	

¹ R = included with repair kit, D = included with seal kit

Subject to technical modifications.



19.12.2017

Swivel Unit

Spare Parts List (week 28/2012-03/2017)

KS/KS2 160.6

Spare Parts

Pos.	Part no.	Quantity	Description	Type	Flag ²
100	274623	1.00	housing complete	KS 125.2/160./200.2	
110	233528	1.00	drive shaft	KS 125.2	R
120	274341	1.00	strap complete	KS 125	R
130	275169	1.00	fork piece complete	KS 125.1/160.1/200.1	
140	209899	1.00	bolt	PFS 400	R
150	209901	1.00	bolt	PFS 400	R
160	274418	1.00	slide	KSD 63/80	
170	210310	2.00	supporting roller complete	PFS 400/900	R
180	267432	1.00	stop plate	KS 125.2	R
200	225135	2.00	needle bush complete	KS 125	R
210	211529	2.00	axial-needle ring	ø70,0/50,0 x 3,0	R
220	211530	4.00	axial-disc	ø50,0/70,0 x 1,0	R
230	200430	2.00	hex. socket head cap screw	M 8 x 18 DIN 6912	R
240	200977	2.00	securing spring washer	S 8	R
250	200624	2.00	set screw	M 6 x 16 DIN 915	R
300	226435	1.00	cylinder receiver	KS 160.1	
310	294958	1.00	cylinder head	KS 160.2 BR2	
320		1.00	cylinder pipe, variable	depending on opening angle	
330	294952	1.00	cylinder bottom	KS 160.2 BR2	
340	219343	1.00	piston	KS 160	
350	231698	1.00	piston rod	KS 160/KS 200	
360	231691	1.00	brake sleeve	KS 160	
370	219345	1.00	brake sleeve	KS 160	
380	295987	2.00	throttle screw	G ¼ - type B	
390		4.00	tension-rod, variable	depending on opening angle	
400	212559	1.00	scraper	40/48,0 x 7,0x 4,0	RD
410	212591	1.00	rod seal	Ø 40/Ø 49,0 x 2,8	RD
420	281911	1.00	driving band	12,0 x 2,00 x 150	RD
430	201731	1.00	o-ring	28,00 x 3,00	RD
440	201987	2.00	o-ring	160,00 x 3,00	RD
450	219748	1.00	glide seal set	Ø 160/145,0x7,55	RD
460	230908	1.00	cushion ring	ø50,6/60,0 x 6,0	RD
470	219746	1.00	cushion ring	ø70,0/84,0 x 7,0	RD
480	282022	1.00	driving band	5,60 x 2,50 x 530	RD
490	200729	4.00	hexagon nut, self-locking	M 10 DIN 985	
500	200257	4.00	hex. socket head cap screw	M 10 x 25 DIN 912	
510	200978	4.00	securing spring washer	S 10,0	
520	227487	4.00	expander sealing plug	MB 700-070	RD
530	200487	2.00	hex. socket countersunk head screw	M 6 x 12 DIN 7991	
600	233546	1.00	swivel traverse complete	KS 125.2/160.2/200.2	

spare parts sets / accessories

Pos.	Part no.	Quantity	Description	Type	
	364409	1.00	repair kit	KS 160.6	
	364410	1.00	seal kit	KS 160.2	
190	353400	1.00	limit switch set complete T12	KS 125.5/160.5/200.5	

² R = included with repair kit, D = included with seal kit

Subject to technical modifications.



19.12.2017

Swivel Unit

Spare Parts List (week 28/2012-03/2017)

KS/KS2 200.6

Spare Parts

Pos.	Part no.	Quantity	Description	Type	Flag ³
100	265202	1.00	housing complete	KS 125.2/160./200.2	
110	233528	1.00	drive shaft	KS 125.2	R
120	226620	1.00	strap complete	KS 125	R
130	226410	1.00	fork piece complete	KS 125.1/160.1/200.1	
140	209899	1.00	bolt	PFS 400	R
150	209901	1.00	bolt	PFS 400	R
160	223924	1.00	slide	KSD 63/80	
170	210310	2.00	supporting roller complete	PFS 400/900	R
180	267432	1.00	stop plate	KS 125.2	R
200	225135	2.00	needle bush complete	KS 125	R
210	211529	2.00	axial-needle ring	ø70,0/50,0 x 3,0	R
220	211530	4.00	axial-disc	ø50,0/70,0 x 1,0	R
230	200430	2.00	hex. socket head cap screw	M 8 x 18 DIN 6912	R
240	200977	2.00	securing spring washer	S 8	R
250	200624	2.00	set screw	M 6 x 16 DIN 915	R
300	231700	1.00	cylinder receiver	KS 200	
310	294959	1.00	cylinder head	KS 200.2 BR2	
320		1.00	cylinder pipe, variable	depending on opening angle	
330	294953	1.00	cylinder bottom	KS 200.2 BR2	
340	204757	1.00	piston	KS 200	
350	231698	1.00	piston rod	KS 160/KS 200	
360	231691	1.00	brake sleeve	KS 160	
370	215676	1.00	brake sleeve	KS 200	
380	295987	2.00	throttle screw	G ¼ - Typ B	
390		4.00	tension-rod, variable	depending on opening angle	
400	212559	1.00	scraper	40/48,0 x 7,0x 4,0	RD
410	212591	1.00	rod seal	Ø 40/Ø 49,0 x 2,8	RD
420	281911	1.00	driving band	15 x 2,5 x 150	RD
430	201731	1.00	o-ring	28,00 x 3,00	RD
440	212649	2.00	o-ring	200,00 x 3,00	RD
450	212625	1.00	glide seal set	Ø 200/182,0x7,55	RD
460	230908	1.00	cushion ring	ø50,6/60,0 x 6,0	RD
470	219723	1.00	cushion ring	ø100,0/114,0 x 7,0	RD
480	282023	1.00	driving band	9,70 x 2,50 x 650	RD
490	200730	4.00	hexagon nut, self-locking	M 12 DIN 985	
500	200257	4.00	hex. socket head cap screw	M 10 x 25 DIN 912	
510	200978	4.00	securing spring washer	S 10,0	
520	227487	4.00	expander sealing plug	MB 700-070	RD
530	200487	2.00	hex. socket countersunk head screw	M 6 x 12 DIN 7991	
600	233546	1.00	swivel traverse complete	KS 125.2/160.2/200.2	

spare parts sets / accessories

Pos.	Part no.	Quantity	Description	Type	
	364411	1.00	repair kit	KS 200.6	
	364412	1.00	seal kit	KS 200.6	
190	283471	1.00	limit switch set complete T12	KS 125.2/160.2/200.2	

³ R = included with repair kit, D = included with seal kit

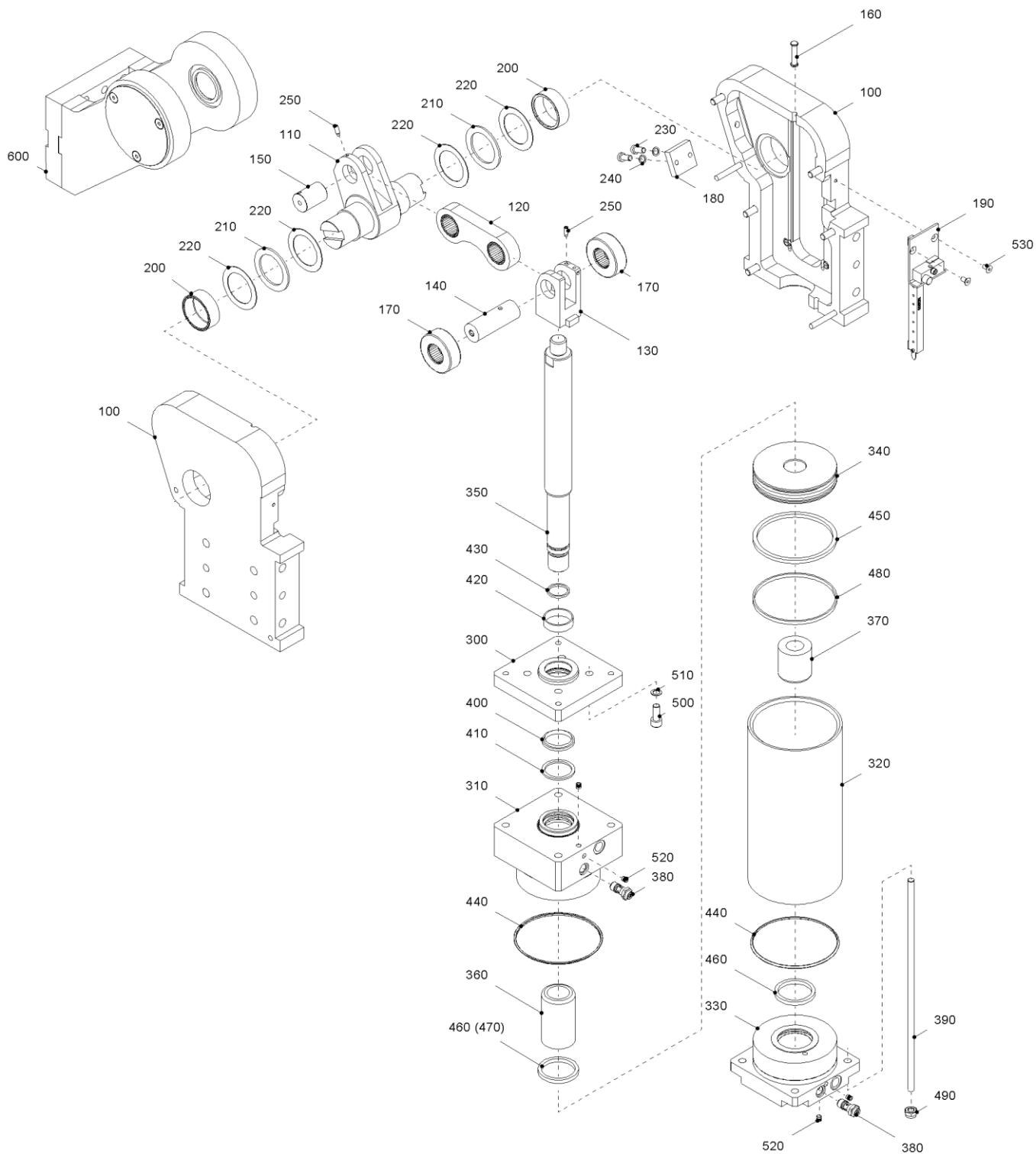
Subject to technical modifications.



19.12.2017

Swivel Unit Spare Parts Drawing (week 28/2012-03/2017)

KS 125.6, 160.6, 200.6



Subject to technical modifications.