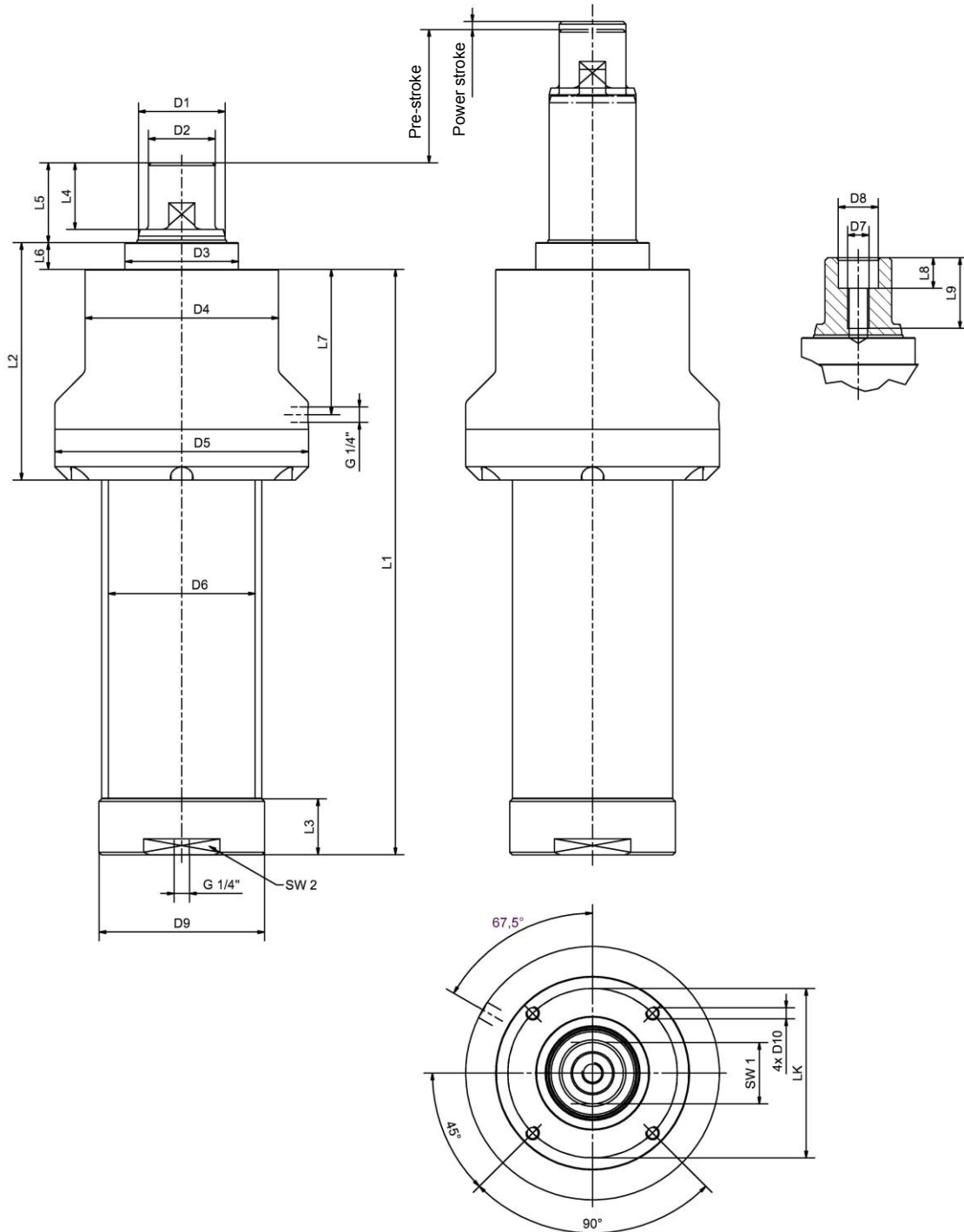


Multi Power Cylinder

Integrated power transmission, round cylinder

MZR 100



Ordering example:
MZR 100 – 100 stroke

MZ: Type
R: Round cylinder
100: Piston Ø
100: Stroke

*Tolerance for dowel holes ± 0.02, for threaded holes ± 0.1.

Medium: Air, max. 6 bar; operation permitted with oil-free air.

Special strokes on request.

| Type | Corresponds to piston Ø [mm] | Pre-stroke [mm] | Pre-power of the pre-stroke at 6 bar | Power stroke [mm] | Clamping force of the power stroke at 6 bar | Weight at 100 mm stroke ~ (kg) |
|---------|------------------------------|-----------------|--------------------------------------|-------------------|---|--------------------------------|
| MZR 100 | 110 | 100 | 4,5 kN | 6 | 40 kN | 25 |

| Type | D1 h7 | D2 | D3 | D4 | D5 | D6 | D7 | D8 h7 | D9 | D10 | L1 | L2 | L3 | L4 | L5 | L6 | L7 | L8 | L9 | LK | SW1 | SW2 |
|---------|----------|----|----|-----|-----|-----|-----|----------|-----|-----|-----------------|-----|----|----|----|----|-----|----|----|-----|-----|-----|
| MZR 100 | 65 | 50 | 85 | 145 | 190 | 110 | M16 | 30 | 124 | M10 | 339 + stroke | 178 | 42 | 50 | 60 | 20 | 109 | 23 | 53 | 127 | 46 | 110 |