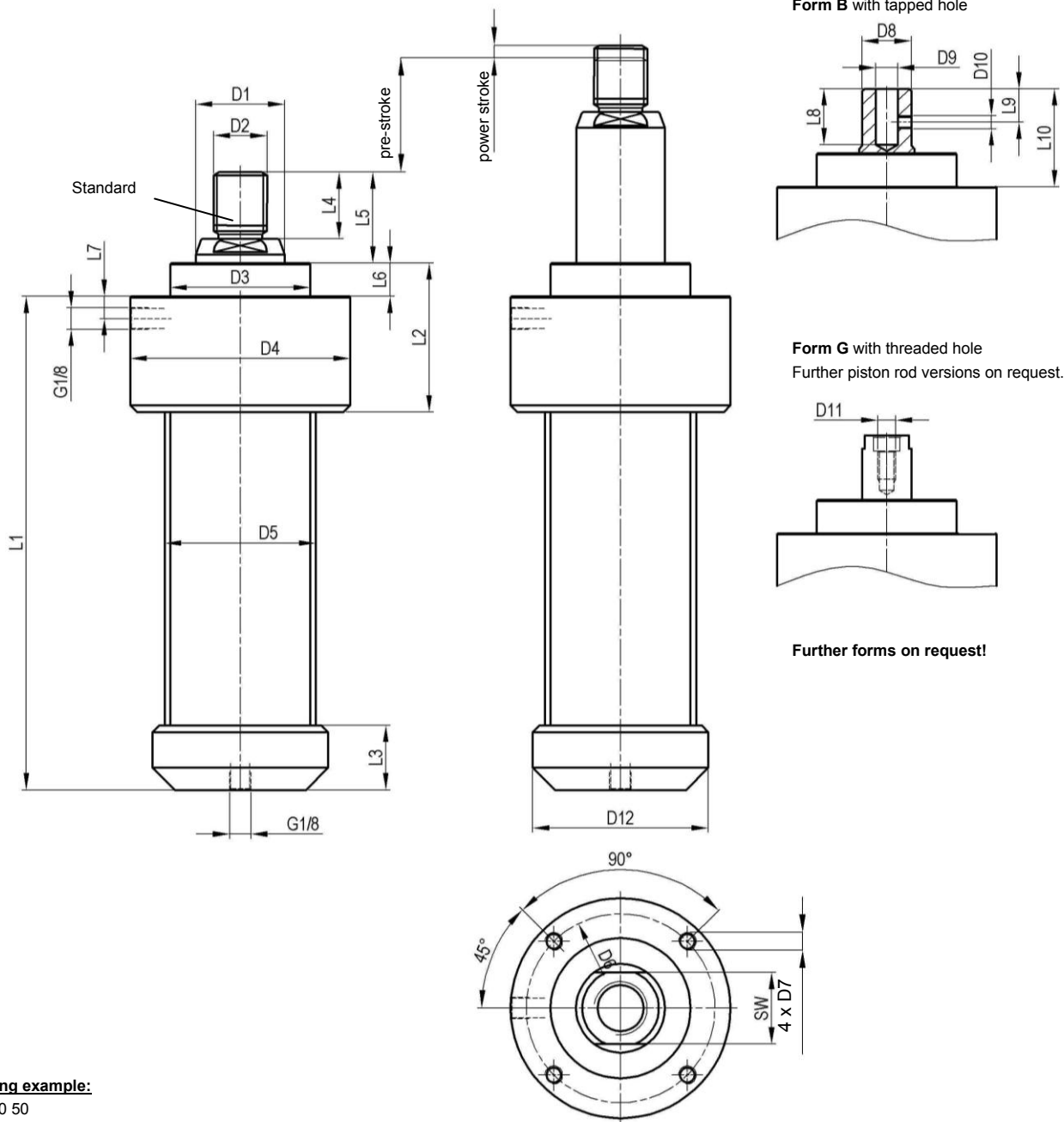


# Multi Power Cylinder

Integrated power transmission, round cylinder

MZR...



**Ordering example:**

MZR 40 50

MZ: Type  
 R: Round cylinder - Standard  
 40: Piston Ø  
 50: Stroke

**Standard pre-strokes:**

50, 100, 150 mm  
 (the power stroke of 6 mm is not included)

\*Tolerance for dowel holes ± 0.02, for threaded holes ± 0.1.

Medium: Air, max. 6 bar, operation permitted with oil-free air.

**Option:**

...B: Form „B“ with tapped hole  
 ...G: Form „G“ with threaded hole

Further special strokes up to a maximum of 300 mm on request.

Type	Clamping force of the power stroke at 6 bar	Power stroke [mm]	Cylinder force of the pre-stroke at 6 bar	Piston Ø [mm]	Weight ~ [kg] at 100 mm stroke	D1 h7	D2	D3 h7	D4	D5	D6
MZR 40	4 kN	6	0.7 kN	40	2.1	25	M16x1.5	40	63	45	54
MZR 50	7 kN	6	1.0 kN	50	4	30	M16x1,5	46	78	60	68
MZR 63	10 kN	6	1.75 kN	63	6.5	40	M24	63	99	68	85

Type	D7	D8 f7	D9 h7	D10	D11	D12	L1	L2	L3	L4	L5	L6	L7	L8	L9	L10	SW
MZR 40	M5	25	10	M6	M8	54	130+stroke	51	23.5	20	29	12	10	25	15	41	21
MZR 50	M6	25	10	M6	M8	66	165+stroke	65	29	20	29	15	10	25	15	44	24
MZR 63	M8	30	16	M8	M12	79	172+stroke	67	29	30	41	15	10	40	20	56	32