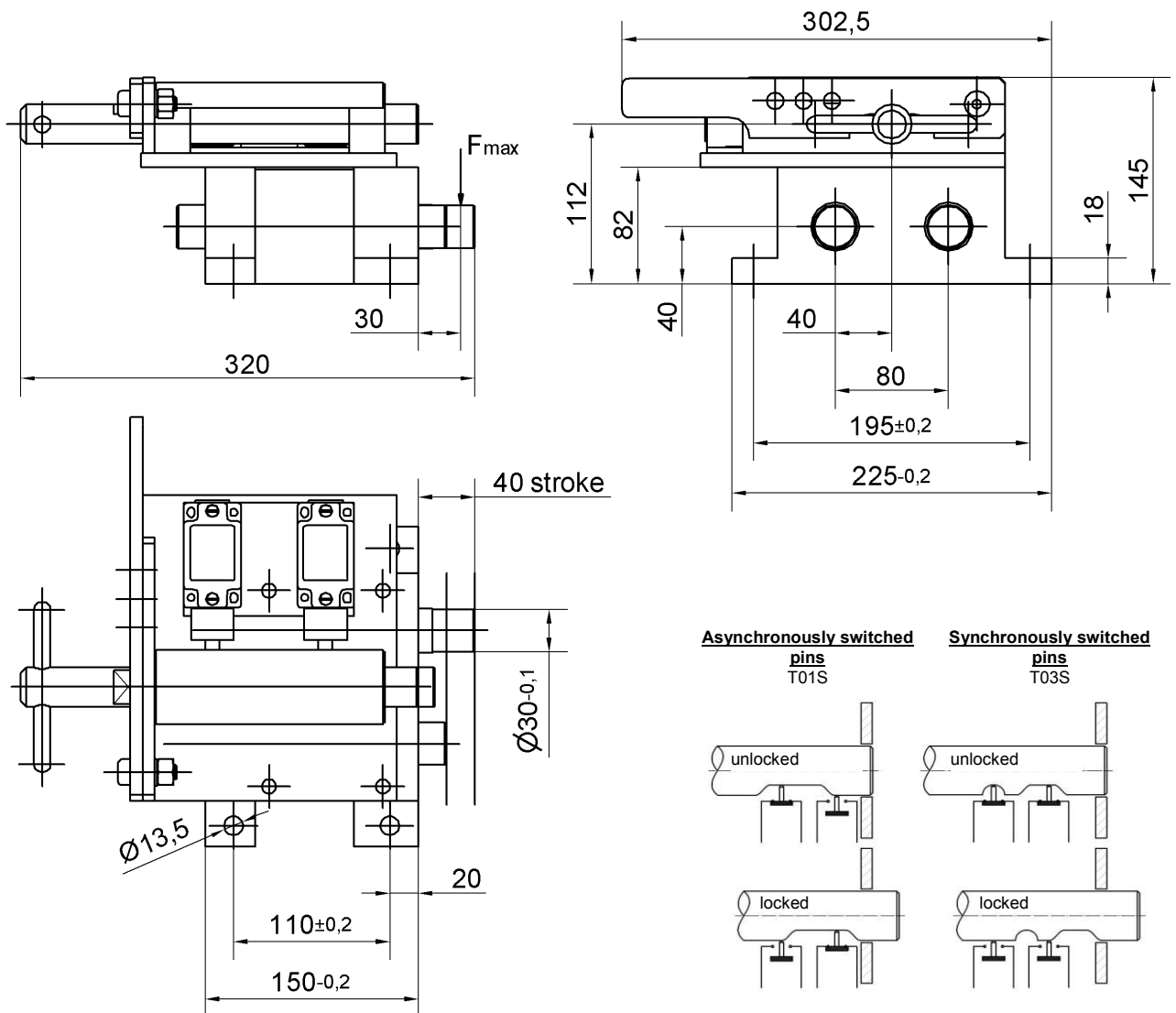


Shot pin

Tandem design, manual operated

SAND 50 M



Ordering example:

SAND 50 M-30/40 T13S

SAND 50 M: Type
 30: Pin Ø
 40: Stroke
 T13S: Sensing system

Ordering example Tünkers sensing systems:

...T01S Safety switch with roller plunger (asynchronously switched)
 ...T03S Safety switch with roller plunger (synchronously switched)
 ...T13S Inductive sensing 24 V

Attention:

- Do not operate under load!
- End position control via safety switch with roller plunger:
 - Euchner (Standard)
 - other types on request
- max. load capacity (static) per pin: $F_{max} = 4.5 \text{ kN}$