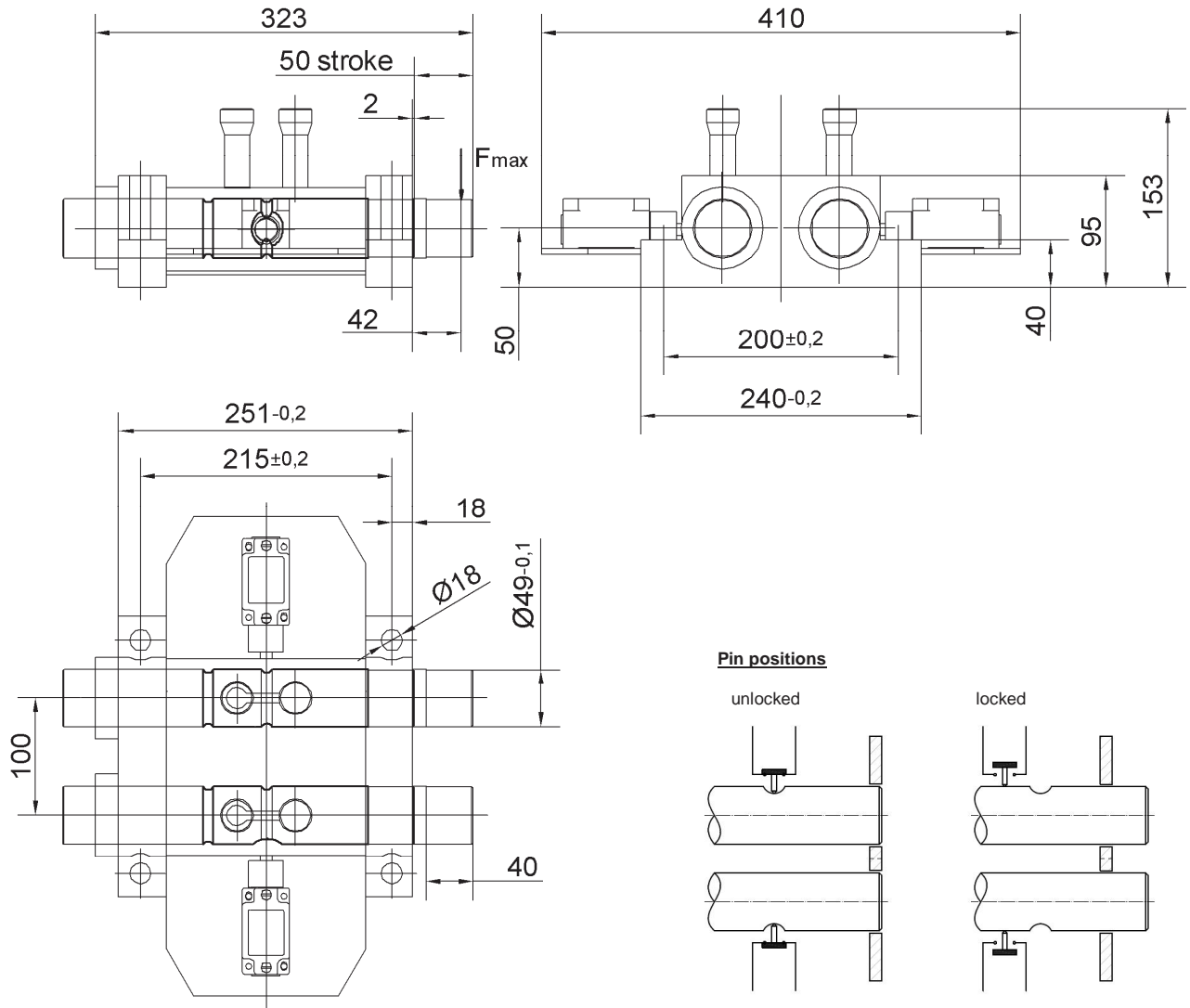


Shot pin

Tandem design, manual operated

SAND 80 M



Ordering example:

SAND 80 M-50/50 T12

SAND 80 M: Type
 50: Pin Ø
 50: Stroke
 T12: Sensing system

Attention:

- Do not operate under load.
- End position control via safety switch with roller plunger
 - Euchner (Standard)
 - other types on request
- max. load capacity (static) per pin: $F_{max} = 22 \text{ kN}$

Ordering example Tünkers sensing systems:

...T01S Safety switch with roller plunger
 ...T12 Inductive sensor 24 V, 1 output
 with integrated LED's