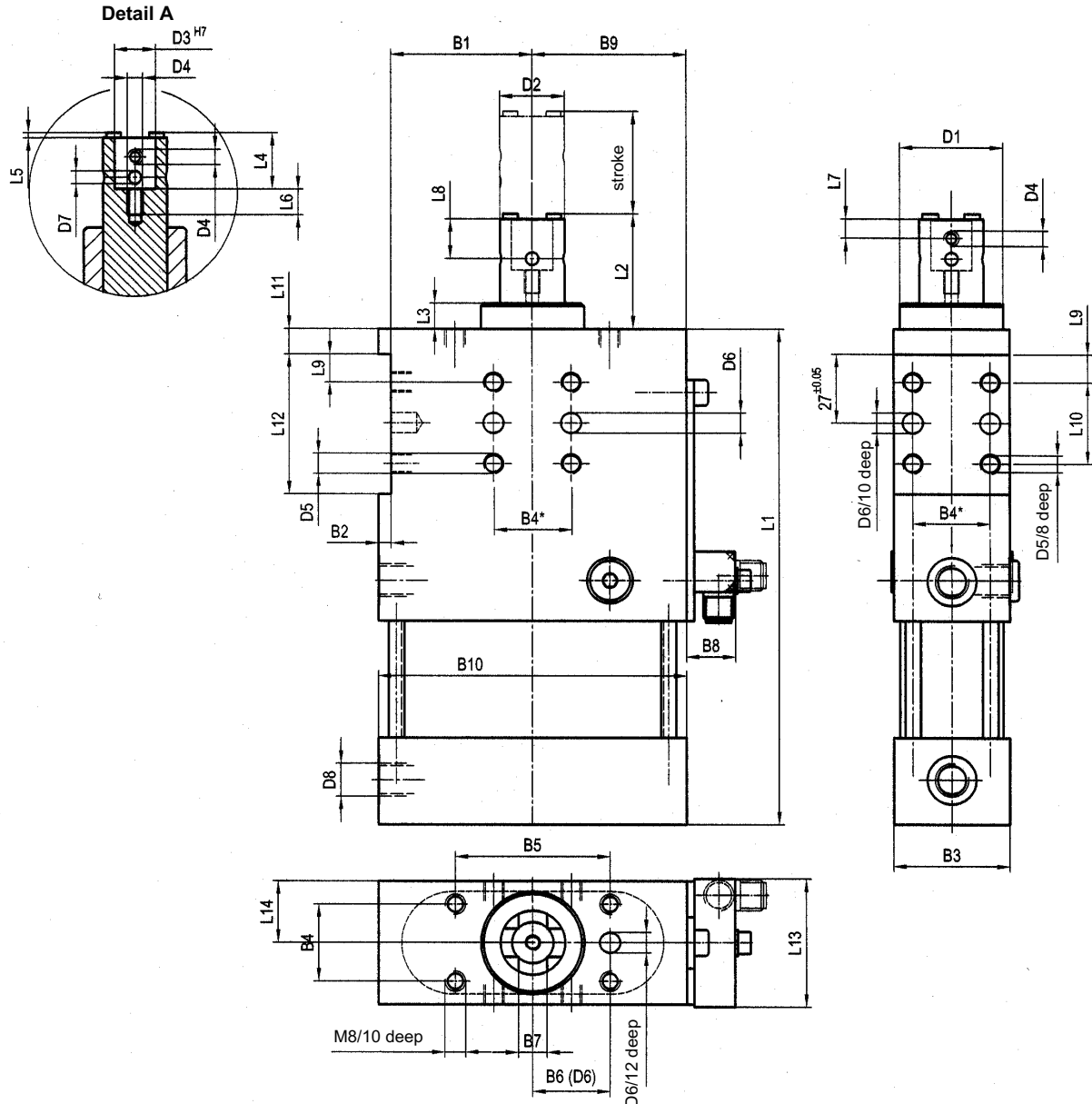


Retractable Locating Pin

anti-rotating, 15 - 60 mm stroke length

SZK... .1 BR3



Ordering example:

SZK 40.1 BR3 x 60 T12

SZK 40.1 BR3: Type
60: Stroke
T12 Sensing system

Ordering code TÜNKERS sensing system:

...T12 Inductive sensor 24 V, 1 output with integrated LED's

Further piston rod connections on request, see accessories data sheet "Piston rod versions".

Stroke lengths from 15 - 60 mm in 5 mm steps

Attention: Not suitable for the use of off-set centering pins! Please use the SZK... A..2 / A..4 versions for this purpose!

Other versions on request.

*Tolerance for dowel holes ± 0.02 , for threaded holes ± 0.1 .

Medium: Air, max. 6 bar, operation permitted with oil-free air.

Attention!

External throttle check valves must be provided on assembly. They are not included in the scope of delivery!

Type	Stat. side force max. (N)	Corresp. piston Ø (mm)	Tensile force at 5 bar (N)	Pressing force at 5 bar (N)	Weight ~ (kg)
SZK 40.1 BR3	150 N	40	350	600	2.35
SZK 63.1 BR3	200 N	63	1250	1500	3.4

Type	B1 ± 0.1	B2	B3	B4*	B5 ± 0.2	B6 ± 0.02	B7 $+0.1$ $+0.05$	B8	B9	B10	D1 f7	D2 f7	D3 H7	D4	D5	D6 H7	D7	D8
SZK 40.1 BR3	32.5	5	45	30	60	30	11	21	37.5	75	40	25	16	M6	M8	8	5	G1/8
SZK 63.1 BR3	55	5	45	30	60	30	11	21	60	120	40	25	16	M6	M8	8	5	G1/4

Type	L1	L2	L3	L4	L5	L6	L7	L8	L9 ± 0.1	L10 ± 0.1	L11	L12 ± 0.1	L13	L14 ± 0.1
SZK 40.1 BR3	235	45	10	22	2	10	7.5	15.5	11	32	10	55	47	22.5
SZK 63.1 BR3	235	45	10	22	2	10	7.5	15.5	11	32	10	55	47	22.5