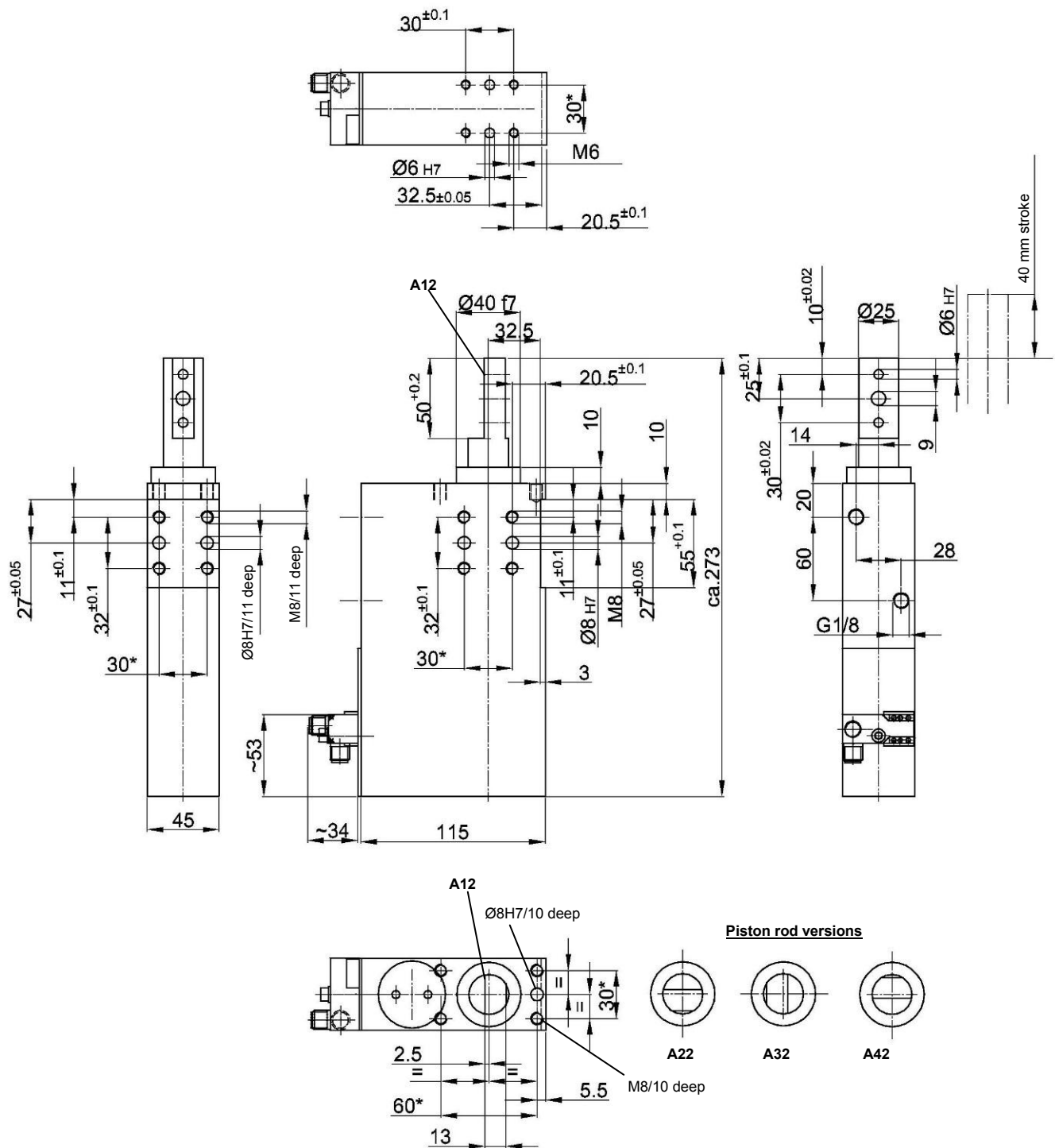


Retractable Locating Pin

For offset pins and contour pieces,
toggle locked end position, with roller guided anti rotating function

SZV.1 40 A...2



Ordering example:

SZV.1 40 A12 T12

SZV.1 40: Type
A12: Piston rod version
T12: Sensing system

Shearing force: min. 500 N at 6 bar, max. in end position 3000 N
Tensile force: min. 420 N at 6 bar, max. tear-off force 3000 N
Holding force: 5 kN
Shear load: 300 N
Piston \varnothing : 40
Weight: 3.4 kg

3000 N
3000 N

*Tolerance for dowel holes ± 0.02 , for threaded holes ± 0.1 .

Medium: Air, max. 6 bar, operation permitted with oil-free air.

Ordering example Tünkers sensing system:

...T12 Inductive sensor 24 V, 1 output with integrated LED's

Ratio of pull force to push force see diagram.

Attention!

External throttle check valves must be provided on assembly. They are not included in the scope of delivery!