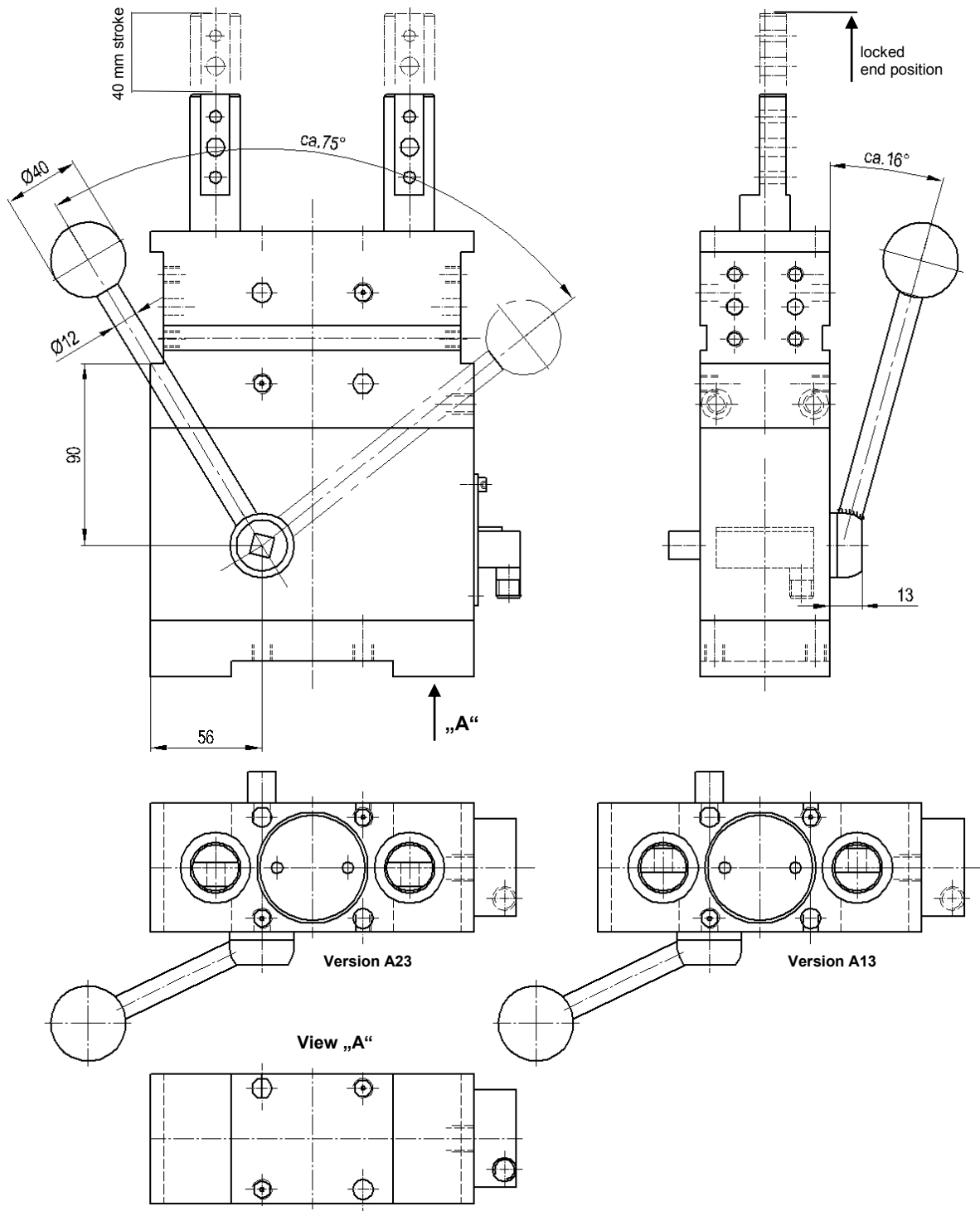


# Retractable Locating Pin

double guide rods for off-set pins and contour pieces,  
toggle locked end position, with hand lever

## SZVD 50 Z



**Ordering example:**  
SZVD 50 Z A13 T12

SZVD 50: Type  
Z: With hand lever  
A13: Adapter position  
T12: Sensing system

Hand lever and adapter are supplied unmounted and can be assembled either on the left or right.

Manual force max. 200 N.

Weight: 7.2 kg

For further technical information see data sheet „SZVD 50“.

**Ordering example Tünkers sensing systems:**

...T00 Without sensing  
...T12 Inductive sensor 24V, 1 output with integrated LED's

**Attention!**

External throttle check valves must be provided on assembly. They are not included in the scope of delivery!