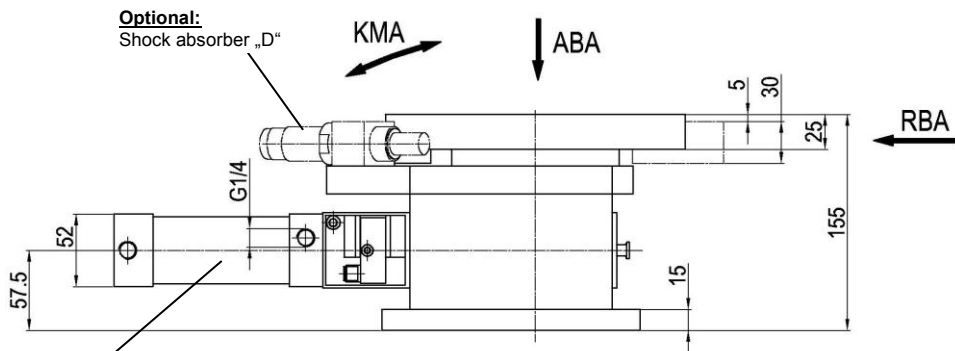
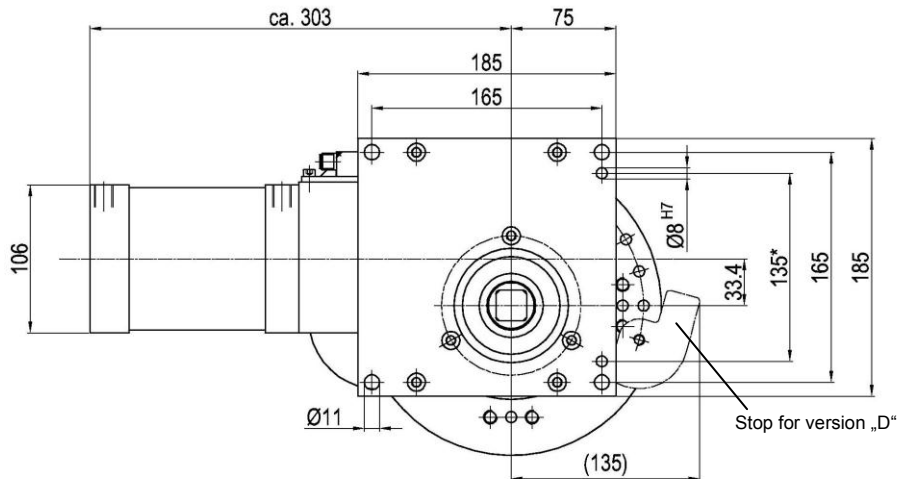


Turntable

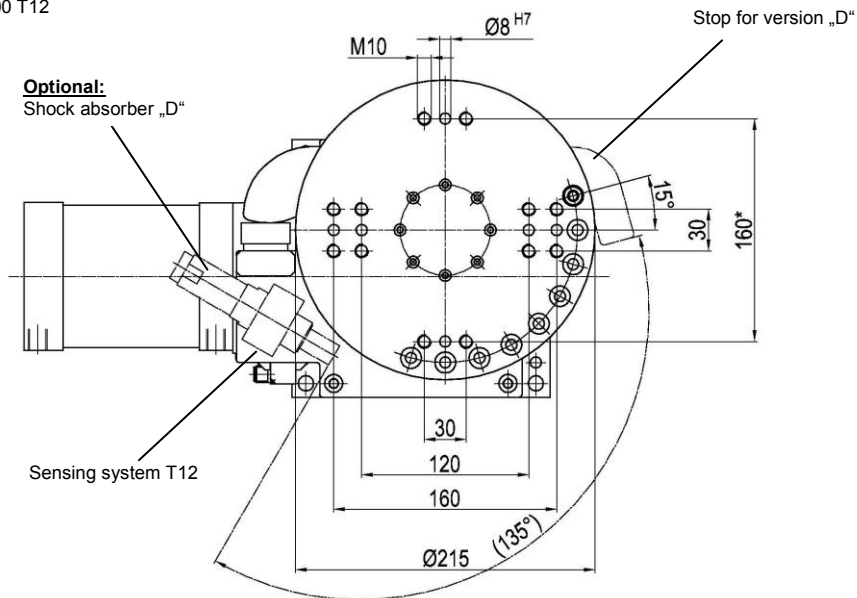
Clamp operated, Rotation angle 135°

TD 215

Version right
(Version left = mirror image)



Clamp V 63.1 BR2 A00 T12



Ordering Example:
TD 215 R D T12 135°

TD:	Type
215:	Plate Ø
R	Version right (L = left)
D:	Optional: Shock absorber
T12:	Sensing System
135°:	Rotation Angle

Ordering example Tünkens sensing system:

... T12 Inductive sensor 24 V, 1 output with integrated LED's

Technical Data:

Repeatability:	± 0,02 auf 100 mm
Positioning:	± 0,05 auf 100 mm
permissible load axially ABA operation:	3000 N
max. permissible tilting KMA:	80 Nm
max. permissible load radially RBA:	2000 N
Mass of the indexing table with drive:	~ 14 kg

Stop in the range of 15-135 ° adjustable in increments of 15 °.

Further technical data of the clamp see data sheet „V...1 BR2“.

* Tolerance for dowel holes ± 0,02, for threaded holes ± 0,2.