

Spare Parts Clamp

Pos.	Part no.	Quantity	Description	Type	Flag ¹
80		1	strap complete	APH 80	R
90		1	bolt	D25x64.5	R
100		1	bolt	D25x32	R
110		1	drive shaft	APH 80 A10	R
120		2	supporting roller complete	KS 80 KS 100 PFS 200	R
180		2	needle bush	V 80	R
210		2	supporting plate	APH 80	R
230		1	damper ring	D30.6-D40x6	RD
240		4	thrust washer	40x60x1	R
250		1	rod seal	PR30-39x3	RD
260		2	axial-needle ring	D60xD40x0	R
270		1	piston seal	K 80	RD
280		2	o-ring	88x2.5	RD
290		2	o-ring	5x1.5	RD
310		1	o-ring	19x2	RD

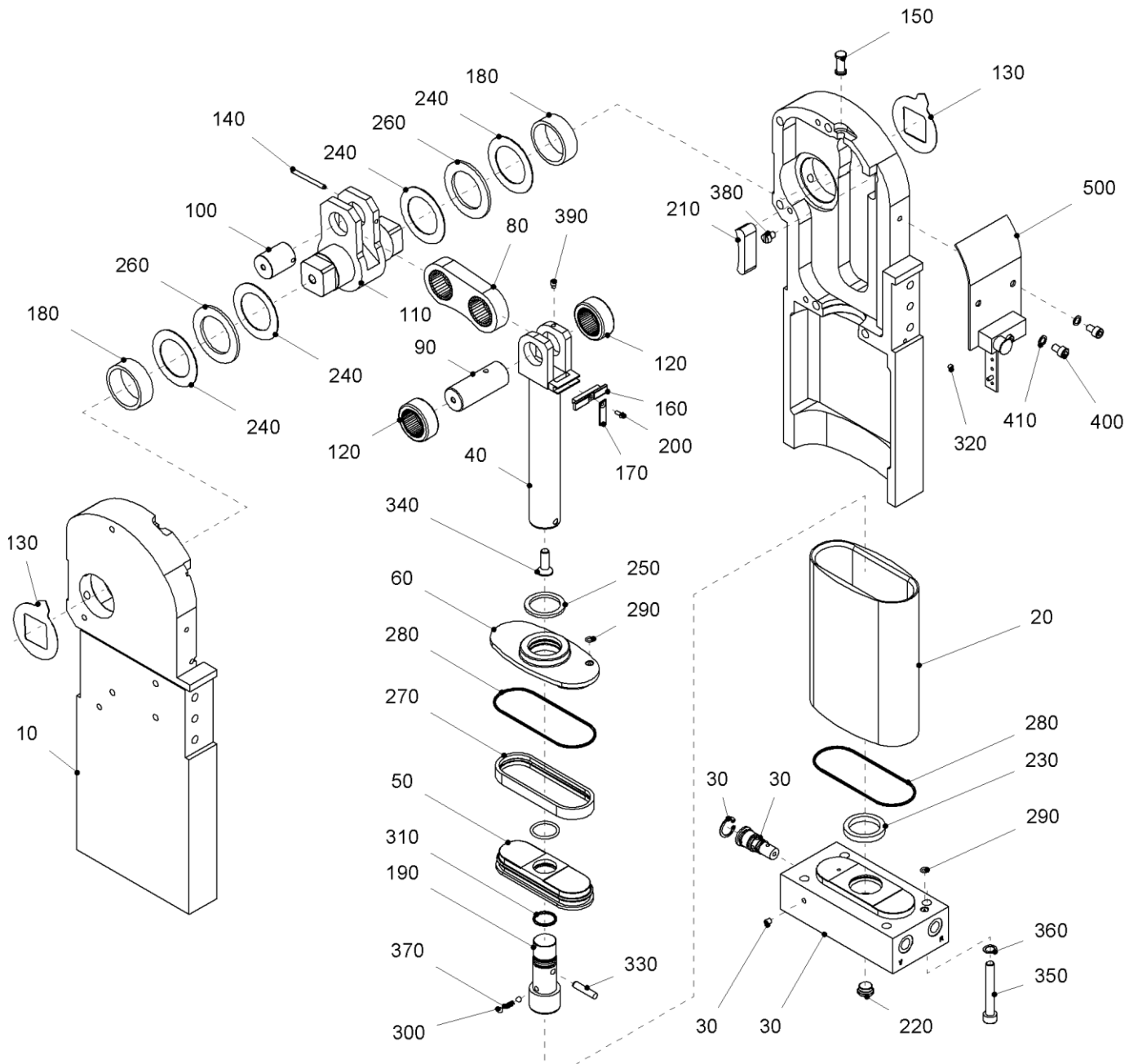
spare parts sets / accessories

Pos.	Part no.	Quantity	Description	Type	
	363055	1	repair kit	APH 80	
	363056	1	seal kit	APH 80	
500	277345	1	limit switch set complete	APH 80 T12	

¹ R = included with repair kit, D = included with seal kit

Clamp arms / jaws

Pos.	Part no.	Quantity	Description	for type	
	351189	1	clamp arm complete	APH/APH2 80 BR2 A10	
	351717	1	clamp arm complete	APH 80 BR2 A11 APH2 80 BR2 A12	
	351718	1	clamp arm complete	APH 80 BR2 A12 APH2 80 BR2 A11	
	246238	1	clamp arm complete	APH/APH2 80 BR2 A40	
	248921	1	clamp arm complete	APH 80 BR2 A41 APH2 80 BR2 A42	
	248923	1	clamp arm complete	APH 80 BR2 A42 APH2 80 BR2 A41	
	246238	1	clamp arm complete A40	K - V 80-80.1 A40	
	243466	1	jaw complete	APH 80 K840	
	240279	1	clamp arm complete A43	K - V 80-80.1 A43	
	243467	1	jaw complete	APH 80 K843	
	362987	1	clamp arm complete A810	APH 80 A810	
	241674	1	jaw complete	APH 80 K810	
	362988	1	clamp arm complete A890	APH 80 A890	
	243385	1	jaw complete	APH 80 K890	



Subject to technical modifications.

27.01.2020