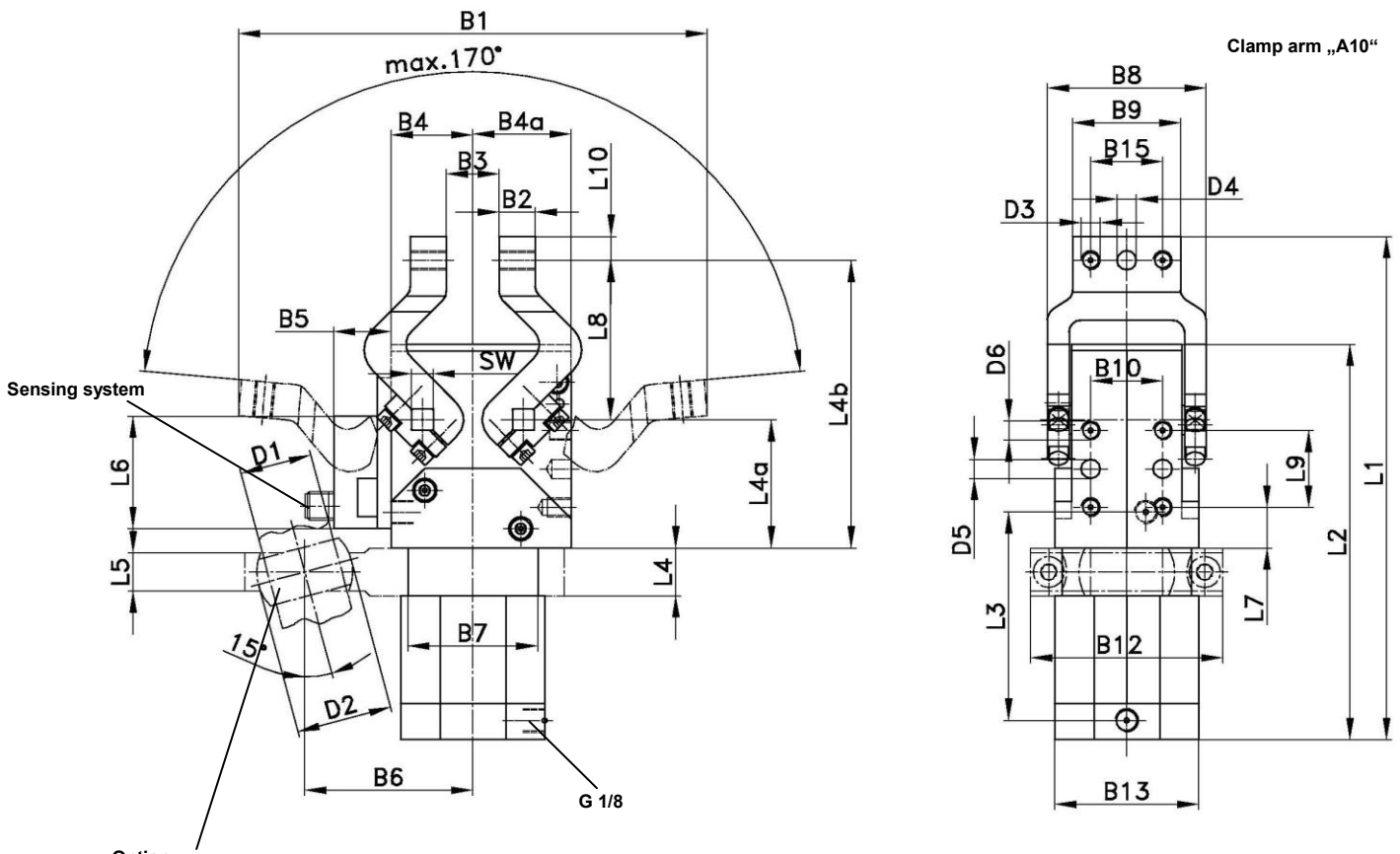


# Pneumatic Gripper

double arm version, totally enclosed,  
knee lever locked end position

## APG 40.1 BR2 AS



**Option:**  
mounting alternative  
see datasheet (W...)

### Ordering example:

APG 40.1 BR2 AS A10 T12 45°

APG ... BR2: Type  
40.1: Piston Ø  
AS: Double arm version  
A10: 2 clamp arms with 3 boreholes  
(„A20“ with 1 borehole)  
T12: Sensing system  
45°: Opening angle (2 x 45°)

### Opening angles (2 x):

45°, 60°, 75°, 85°  
Other versions on request!

\*Tolerance for dowel holes ± 0.02, for  
threaded holes ± 0.1.

### Ordering example Tünkers sensing systems:

...T00 Without sensing  
...T12 Inductive sensor 24 V, 1 output  
with integrated LED's

### Accessories:

Latch-tightening screw, article number 446244

Type	Clamping force (N) at 5 bar	Working pressure (bar) in oil-free air	Maximum pressure (bar) in oil-free air	Connection (G)	Opening and Closing time (s)	Weight ~ (kg)
APG 40.1 BR2 AS	600	5	6	1/8	1	2.0

Type	L1	L2	L3	L4	L4a	L4b	L5	L6	L7 ±0,1	L8	L9 ±0,1	L10 -0,05	B1	B2	B3	B4	B4a	B5
APG 40.1 BR2 AS	210	165	87	20	53.5	120	16	47	17	66.5	32	10	195	15	22	34	41	24

Type	B6 ±0,1	B7	B8	B9	B10 ±0,1	B11 -0,02	B12	B13	B14	B15	D1 Ø	D2	D3	D4 H7	D5 H7/8 deep	D6 10 deep	SW
APG 40.1 BR2 AS	70	54	66	45	30	30	80	60	20	30	30	40	M8	8	8	M8	9