

ALPHA Vario Clamp Spare Parts List (from week 10/2013)

APH/APH2 40.5 H BR2

Spare Parts

Pos.	Part no.	Quantity	Description	Type	Flag ¹
10	266985	1	housing complete	APH 40.5 BR2	
20	266081	1	cylinder tube	APH 40.5 BR2	
30	266991	1	cylinder bottom complete	APH 40.5 BR2	
	included seals:				
	227476	1	o-ring	7,00 x 1,50	RD
	201647	1	o-ring	4,00 x 1,50	RD
	233234	2	o-ring	12,00 x 1,00	RD
	362213	1	ball seal	Ø 6,35	RD
40	366785	1	piston rod complete	APH 40.5 BR2	
45	350350	1	fork piece complete	APH 40.5 BR2	
50	265972	1	piston complete	V 40 BR2	RD
60	265964	1	intermediate flange	V 40 BR2	
	223976	1	parallel pin	3m6 x 10 DIN 6325	
70	256670	1	clamp arm complete	APH 40.5 A60	
80	266080	1	strap	APH 40.5 BR2	R
90	202773	1	bolt	K 40.1	R
100	202615	1	bolt	FKSI 40	R
110	217542	1	drive shaft	K 40.1	R
120	219630	2	roller complete	K 40.1	R
200	265206	1	scraper	20/25,0x 4,60/0,0	RD
220	237270	4	hex. socket head cap screw	M 5 x 35 DIN 912	
230	200975	4	securing spring washer	S 5,0	
280	201767	2	o-ring	40,00 x 1,50	RD
290	201647	2	o-ring	4,00 x 1,50	RD
300	201643	1	o-ring	3,00 x 1,00	RD
310	266835	1	supporting plate	APH 40.5 BR2	R
360	217836	2	bush	Ø 22,0/25,0x8,0	R
390	252426	1	slide	K 40.1 BR2	
400	200608	2	set screw	M 3 x 6 DIN 915	R
550	367943	1	stop ring	APH 40.5 BR2	
540	200903	1	shim ring	PS 16,0x22,0x 1,00 DIN 988	
560	214647	1	hexagon socket screw plug	R ¼	
570	366603	1	hexagon socket screw plug	APH 40.5	

spare parts sets / accessories

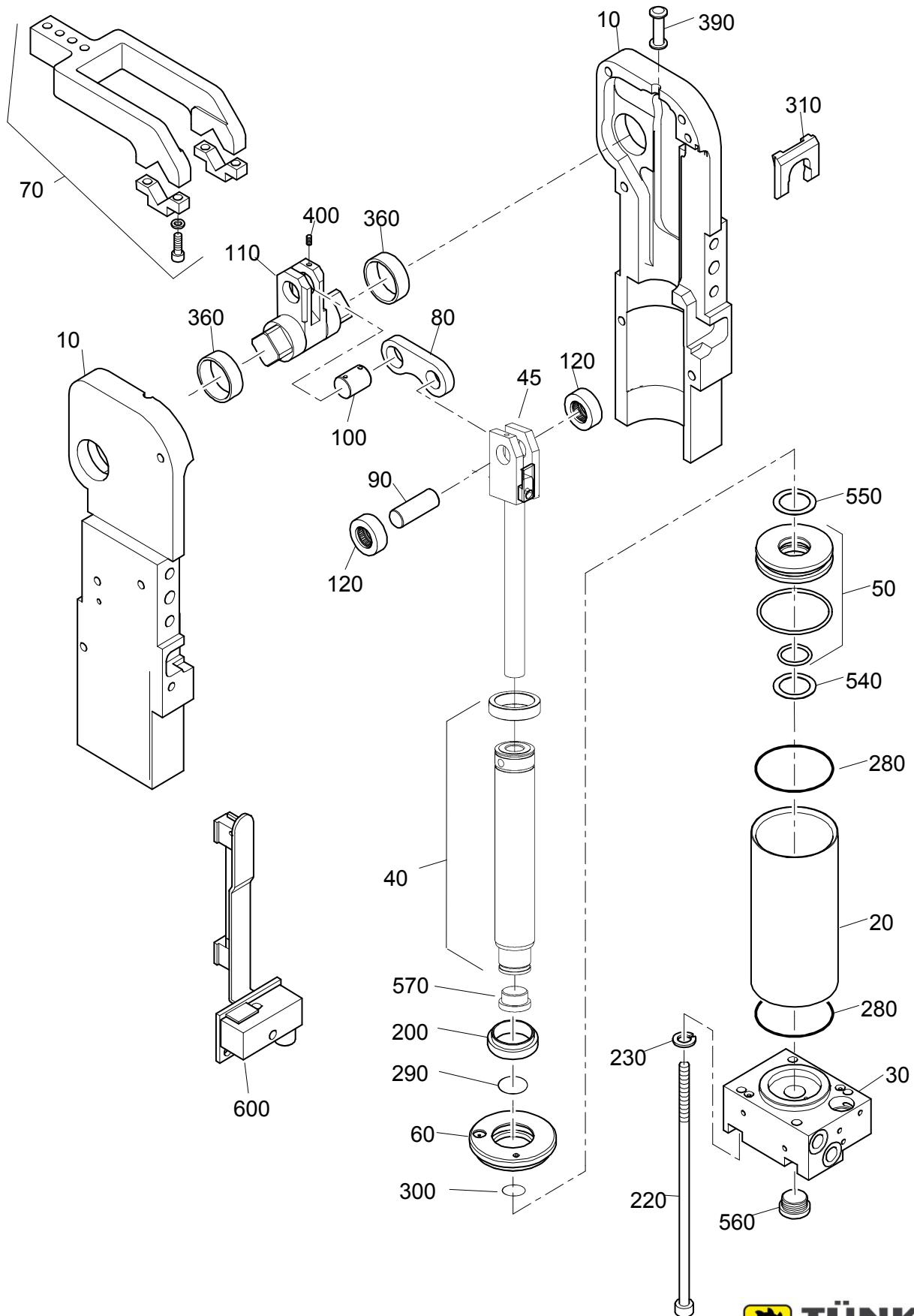
Pos.	Part no..	Quantity	Description	Type	
	368166	1	repair kit	APH 40.5 H BR2	
	294203	1	seal kit	APH 40.5 BR2	
600	1329372	1	limit switch set complete Tünkers	APH 40.5 T12	
	270134	1	limit switch set complete P+F	APH 40.5 T12	

¹ R = included with repair kit, D = included with seal kit



ALPHA Vario Clamp Spare Parts Drawing (from week 10/2013)

APH 40.5 H BR2



Technische Änderungen vorbehalten.

11.09.2019