

ALPHA Vario Clamp Spare Parts List (until week 9/2013)

APH 40.5 H BR2

Spare Parts

Pos.	Part No.	Quantity	Description	Type	Flag ¹
10	266985	1	Housing complete	APH 40.5 BR2	
20	266081	1	Cylinder tube	APH 40.5 BR2	
30	266991	1	Cylinder bottom complete	APH 40.5 BR2	
	included seals:				
	227476	1	O-Ring	7,00 x 1,50	RD
	201647	1	O-Ring	4,00 x 1,50	RD
	233234	2	O-Ring	12,00 x 1,00	RD
	362213	1	Ball seal	Ø 6,35	RD
40	286627	1	Piston rod complete	APH 40.5 BR2	
45	286628	1	Fork piece complete	APH 40.5 BR2	
50	265972	1	Piston complete	V 40 BR2	RD
60	265964	1	Intermediate flange	V 40 BR2	
70	256670	1	Clamp arm complete	APH 40.5 A60	
80	266080	1	Strap	APH 40.5 BR2	R
90	202773	1	Bolt	K 40.1	R
100	202615	1	Bolt	FKSI 40	R
110	217542	1	Drive shaft	K 40.1	R
120	219630	2	Roller complete	K 40.1	R
200	265206	1	Stripper	20/25,0x 4,60/0,0	RD
220	237270	4	Hex. socket head cap screw	M 5 x 35 DIN 912	
230	200975	4	Securing spring washer	S 5,0	
280	201767	2	O-Ring	40,00 x 1,50	RD
290	201647	2	O-Ring	4,00 x 1,50	RD
300	201643	1	O-Ring	3,00 x 1,00	RD
310	266835	1	Supporting plate	APH 40.5 BR2	R
360	217836	2	Bush	Ø 22,0/25,0x8,0	R
390	268138	1	Slide	Ø 22,0/25,0x8,0	
400	200608	2	Threaded pin	M 3 x 6 DIN 915	R
500	266310	1	Switch flag	APH 40.5 BR2	
540	257222	1	Shim rings and supporting rings	16,0x22,0x 0,50 DIN 988	
550	200903	1	Shim rings and supporting rings	PS 16,0x22,0x 1,00 DIN 988	
555	265581	1	Retaining rings for shafts	AS 16,0 x 1,50 DIN 471	
560	214647	1	Hexagon socket screw plug	R ¼	

spare parts sets / accessories

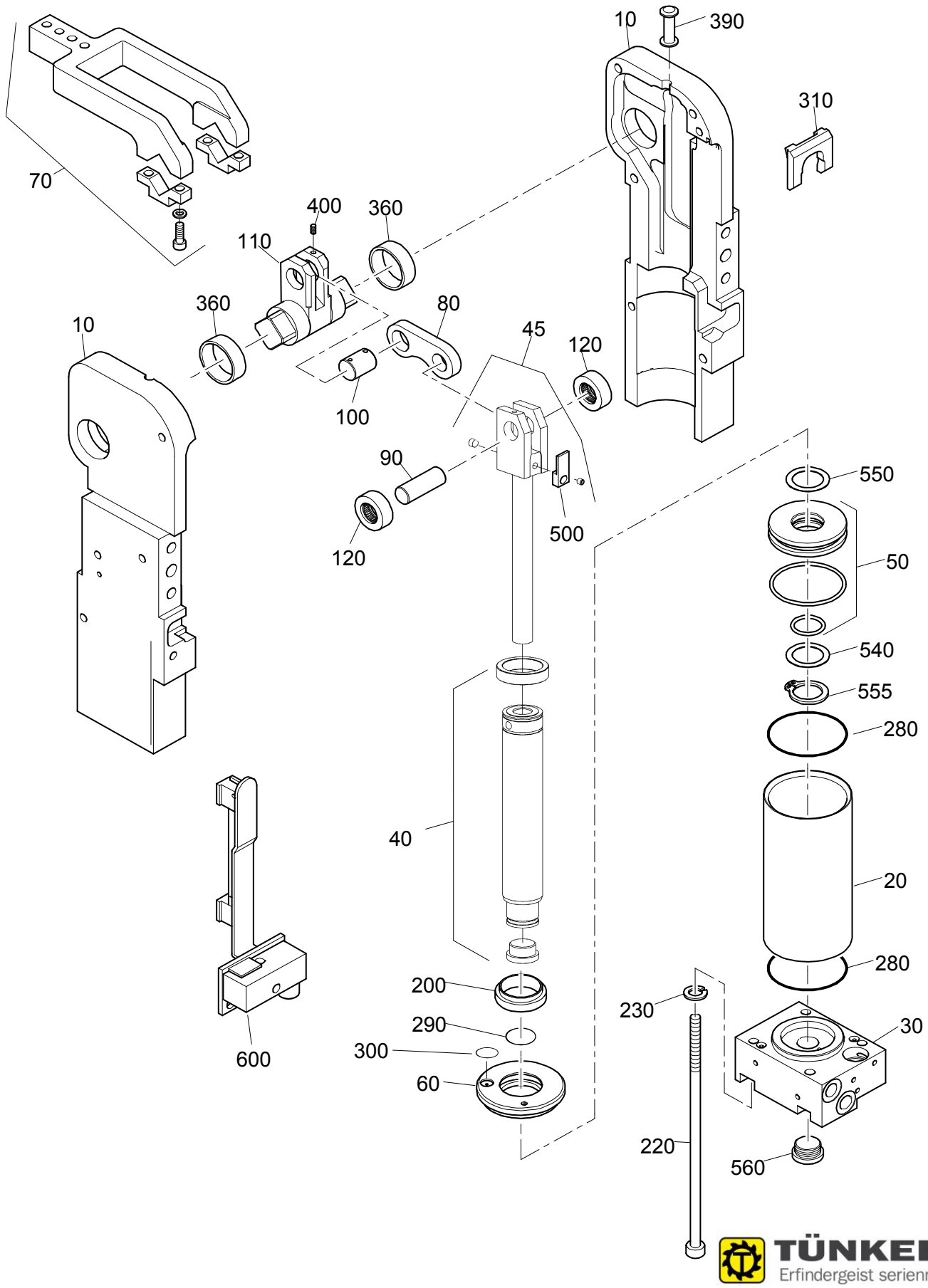
Pos.	Part No..	Quantity	Description	Type	
	368166	1	Repair kit	APH 40.5 H BR2	
	294203	1	Seal kit	APH 40.5 BR2	
600	1329372	1	Limit switch set complete Tünkers	APH 40.5 T12	
	270134	1	Limit switch set complete P+F	APH 40.5 T12	

¹ R = included with repair kit, D = included with seal kit



ALPHA Vario Clamp Spare Parts Drawing (until week 9/2013)

APH 40.5 H



Subject to technical modifications.

11.09.2019