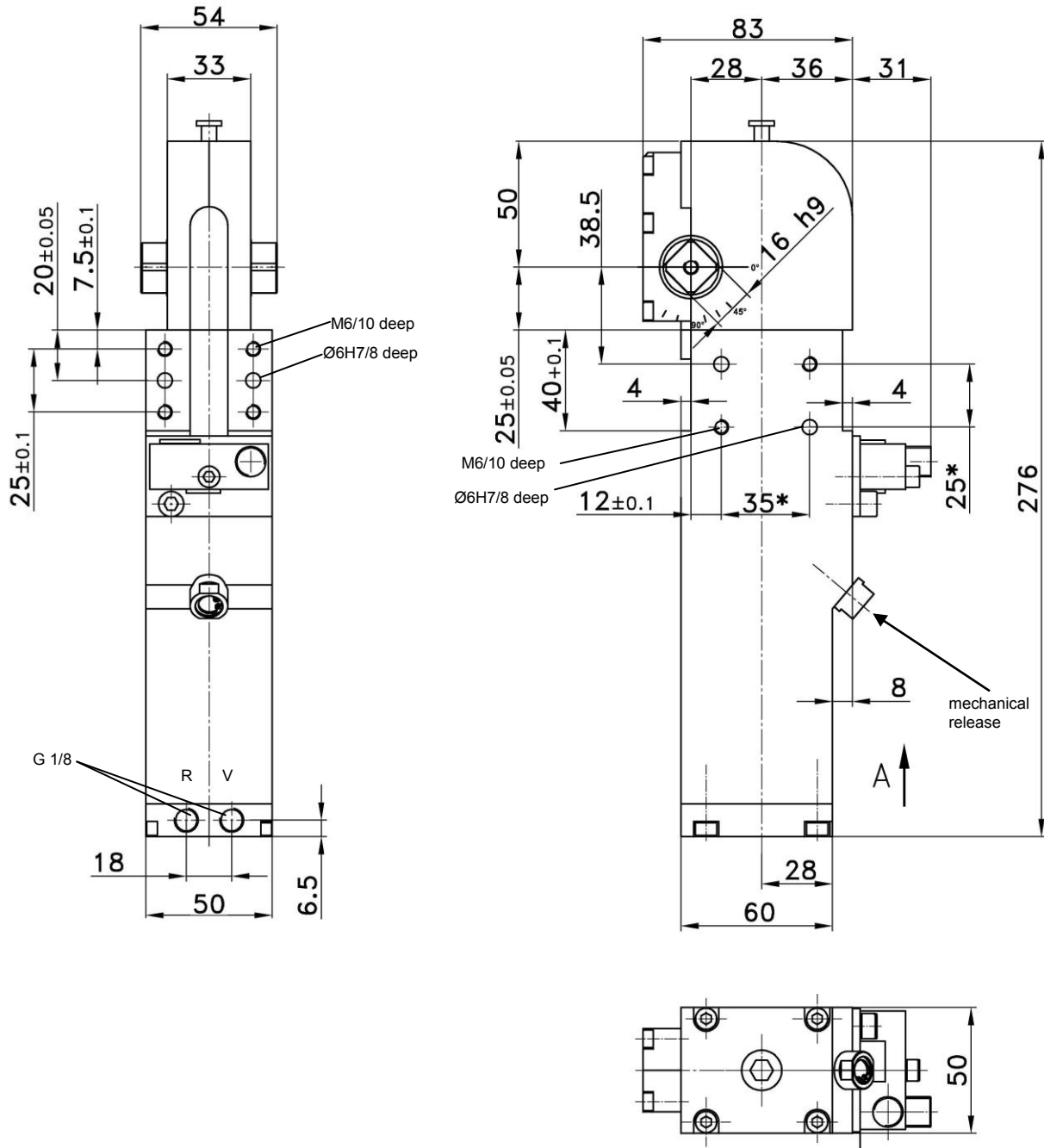


ALPHA Clamp

With power curve, adjusting function and mechanical safety brake, pneumatic self-locking type, stepless adjustable opening angle

APH 40 B
10° - 135°



View A

Ordering example:

APH 40 B T12

APH: Type
40: Piston Ø
B: Mechanical safety brake
T12: Sensing system

Ordering example Tünkers sensing systems:

... T00 Without sensing system
... T12 Inductive sensor 24 V, 1 output with integrated LEDs

Attention:

External throttle check valves must be provided on assembly. They are not included in the scope of delivery!

Constant clamping moment in the angle range of $\pm 1.2^\circ$.

*Tolerance for dowel holes ± 0.02 , for threaded holes ± 0.1 .

**when the brake is activated

Medium: Air, max. 6 bar, operation permitted with oil-free air.

Type	Holding torque max. **	Clamping moment at 5 bar**	Corr. to piston Ø (mm)	Weight ~ (kg)
APH 40 B	190 Nm	120 Nm	40	2,8