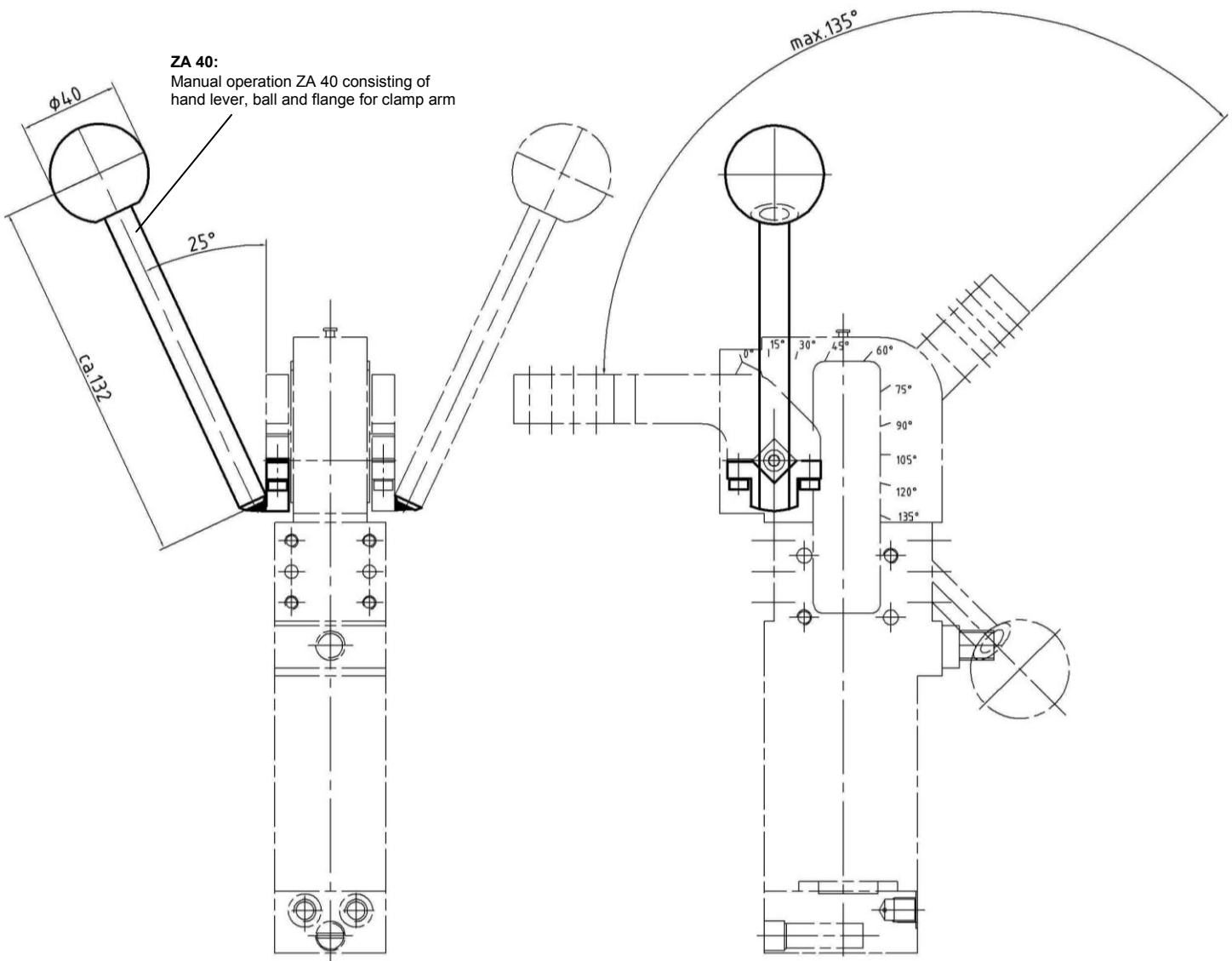


# Manual operation ALPHA 40

Single parts for manual operation

# ZA 40



**Ordering example hand lever:**

ZA 40

ZA: Hand lever complete consisting of:  
 Hand lever, ball and flange for clamp arm  
 40: Size ALPHA clamp

**Ordering example complete clamp:**

APH 40 Z T12

APH: Type  
 40: Size  
 Z: Hand lever  
 T12: Sensing system

The hand lever is delivered unmounted for on-site mounting.

For further technical information see data sheet "APH 40".

For further clamp arm versions see data sheet: „Clamp arms and jaws for ALPHA 40 Clamps

\*Tolerance for dowel holes  $\pm 0.02$ , for threaded holes  $\pm 0.1$ .

Medium: Air, max 8 bar, operation permitted with oil-free air.

