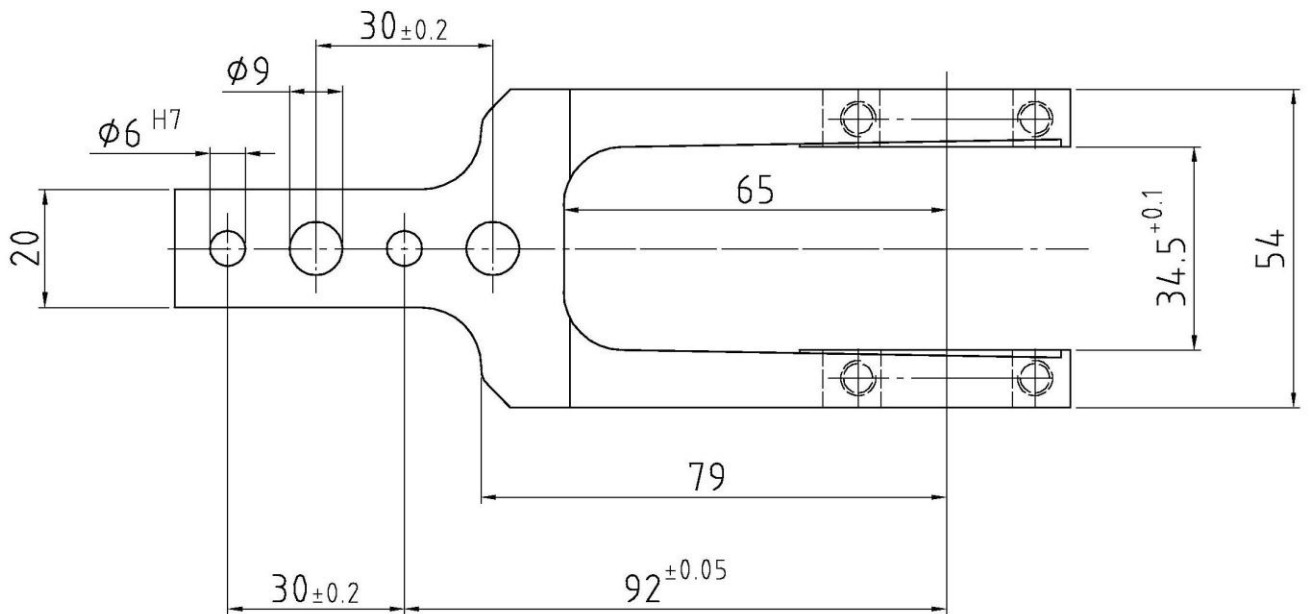
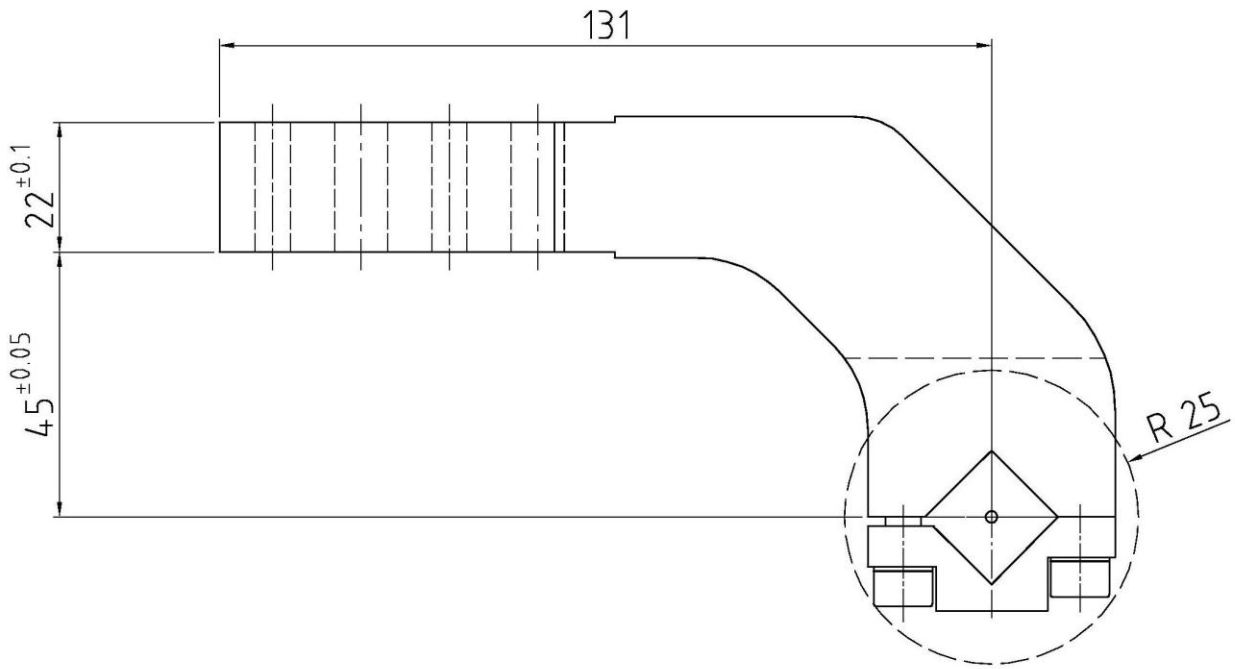


# Clamp arm

for Clamps size 40.5, with an offset of 45 mm

**A60**



**Ordering code clamp arm complete:**

256670: Clamp arm complete A60 size 40.5

**Clamp arm available as a special design in steel version:**

Order no. 361039

Clamp size	Clamp arm version A60 order no.	Weight ~ (kg)	Material
40	256670	0.32	Al