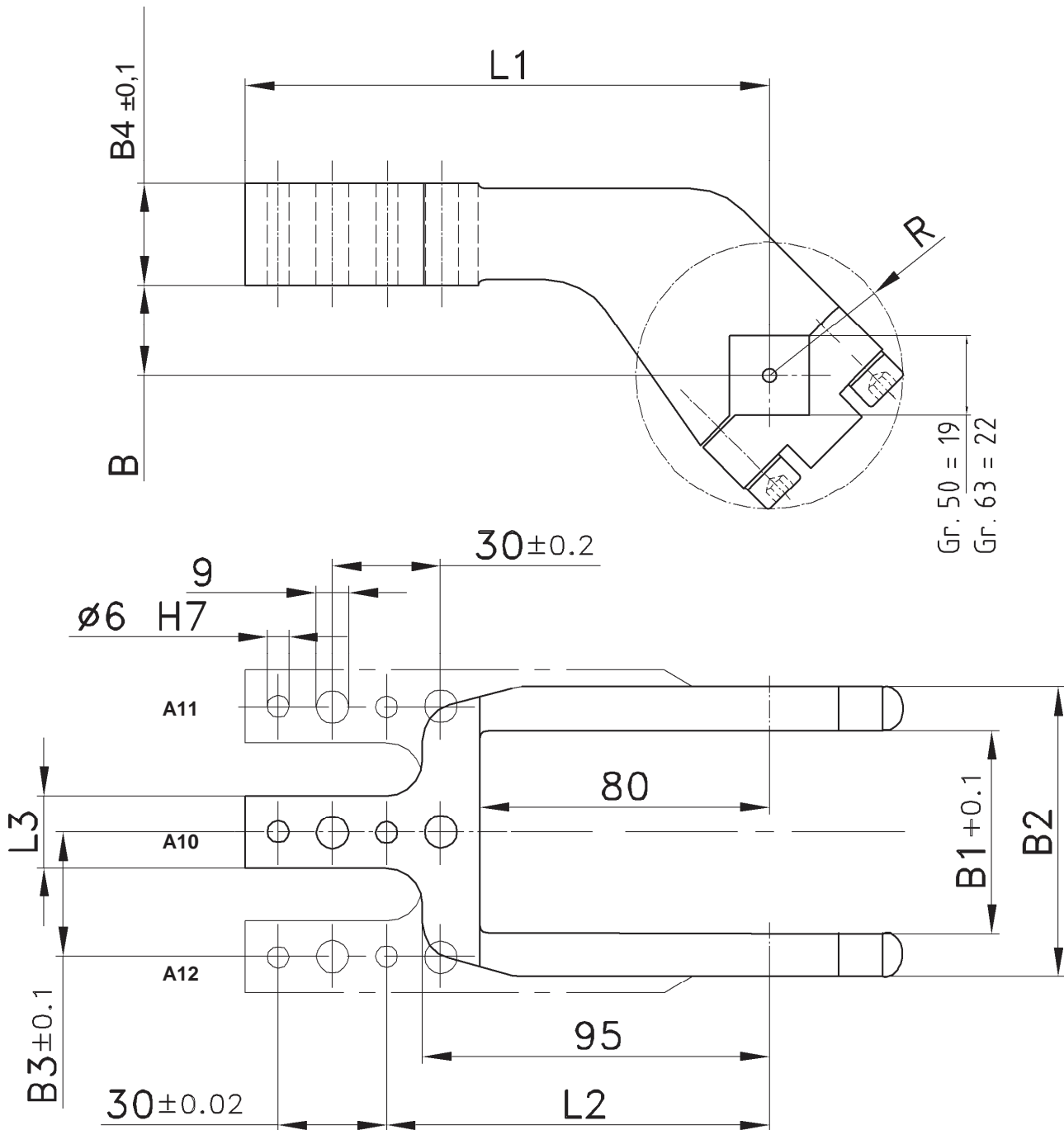


Clamp arms

for Clamps size 50/63 with an offset of 15 mm

A10, 11, 12



Ordering example clamp arm complete:

217499: Clamp arm complete A11 size 63

Ordering example for a complete clamp:

V 50.1 A10 T12

V 50.1: Type
 A10: Clamp arm version
 T12: Sensing system

Clamp size	Clamp arm version A10 order no.	Clamp arm version A11 order no.	Clamp arm version A12 order no.	Weight ~ (kg)	B	B1	B2	B3	B4	L1	L2 ± 0.1	L3	R
50	216884	216886	216890	1.0	15	48	68	34	28	144	105	20	33
63	217498	217499	217500	1.2	15	54	78	37	28	144	105	20	36