

Underbody Clamp

Spare Parts List (from week 34/2018)

K 60.1 UZ HR

Spare Parts

page -1-

Pos.	Version ¹	Part no.	Quantity	Description	Type	Flag ²
1_10		455626	1	housing complete	K 60 UZ	
1_10_10		401179	1	housing left/right		
1_10_20		359019	1	supporting plate		
1_10_30		366030	1	cover sheet		
1_10_40		368248	2	cover sheet		
1_10_50		200479	8	countersunk screw	M4 x 6 DIN 7991	
1_10_60		201213	2	dowel pin	3m6 x 18 DIN 6325	
1_10_70		201236	2	dowel pin	6m6 x 45 DIN 6325	
1_10_80		200423	1	cap screw	M6 x 30 DIN 6912	
1_10_90		200433	2	cap screw	M8 x 30 DIN 6912	
1_10_100		200976	1	lock washer	S6	
1_10_110		200977	2	lock washer	S8	
1_20		231557	1	cylinder head complete	K 60 U - K 60 UZ	
1_20_10		207009	1	cylinder head	K 60 U - K 60 UZ	
1_20_20		212539	1	scraper ring	20 x 28,6 x 6,5	RD
1_20_30		212583	1	rod seal	20 x 29 x 2,8	RD
1_30		231216	1	piston complete	PKS 60 UO	
1_30_10		204803	1	piston	PKS 60 UO	
1_30_20		201682	1	o-ring	16 x 2	RD
1_30_30		201804	1	o-ring	54 x 3	RD
1_40		206907	1	cylinder bottom	K 60 U /K 60 UZ	
1_50		207050	1	cylinder pipe	K 60 UZ	
1_60		203595	1	fork complete		
1_70		204939	1	piston rod	K 60 UZ	
1_80		206443	1	angle fork		
1_90		205375	1	strap	PKS 50 UZ	R
1_100		205376	1	strap	PKS 50 UZ	R
1_110		202690	1	bolt	PKS 50 UZ	R
1_120		401237	2	bolt		R
1_130		202691	3	bolt	PKS 50 UZ	R
1_140		203171	4	distance piece	PKS 50 UZ	
1_150		205349	2	roller	PKS 50 SHZ	R
1_160		201581	2	bush	12x14x10	R
1_170		201582	8	bush	12x14x12	R
1_180		201812	2	o-ring	57 x 2	RD
1_190		200611	4	set screw	M4 x 5 DIN 915	R
1_200		201294	6	securing ring	12 x 1 DIN 471	R
1_210		200679	1	hexagon nut	M16 x 1.5 DIN 439	
1_220		220325	2	washer	A17 x 30 x 3	
1_230		200165	1	cap screw	M6 x 10 DIN 912	
1_240		200197	4	cap screw	M6 x 116 DIN 912	
1_250		200976	5	lock washer	S6 (Schnorr)	
2_10	Z		1	centering pin		
2_20	Z		1	clamping hook		



Underbody Clamp

Spare Parts List (from week 34/2018)

K 60.1 UZ HR

Ersatzteile

Seite -2-

Pos.	Version ¹	Part no.	Quantity	Description	Type	Flag ²
2_30	Z		1	top plate		
2_40	Z		1	housing lid		
2_50	Z		1	buffer		
2_55	Z		1	protection cover		
2_60		218798	1	adjusting plate		
2_70	Z		2	dowel pin		
2_85		200448	1	cap screw	M3 x 6 DIN 7984	
2_90		200459	4	cap screw	M5 x 12 DIN 7984	
2_100	Z		4	cap screw	M8	
2_110		200975	4	lock washer	S5	
2_120		200977	4	lock washer	S8	
3_10		200166	1	cap screw	M6 x 12 DIN 912	
3_20		200976	1	lock washer	S6	

spare parts sets / accessories

Pos.	Part no.	Quantity	Description	Type
	447201	1	repair kit	K 60.1 UZ HR (from week 32/2015)
	203079	1	seal kit	K 60 UZ
3_0	284388	1	limit switch set complete P+F	K 60 UZ T12
	284391	1	limit switch set complete Turck	K 60 UZ T12
	280764	1	limit switch set complete P+F	K 60 UZ T12 with reduced stroke
	358339	1	limit switch set complete Turck	K 60 UZ T12 with reduced stroke

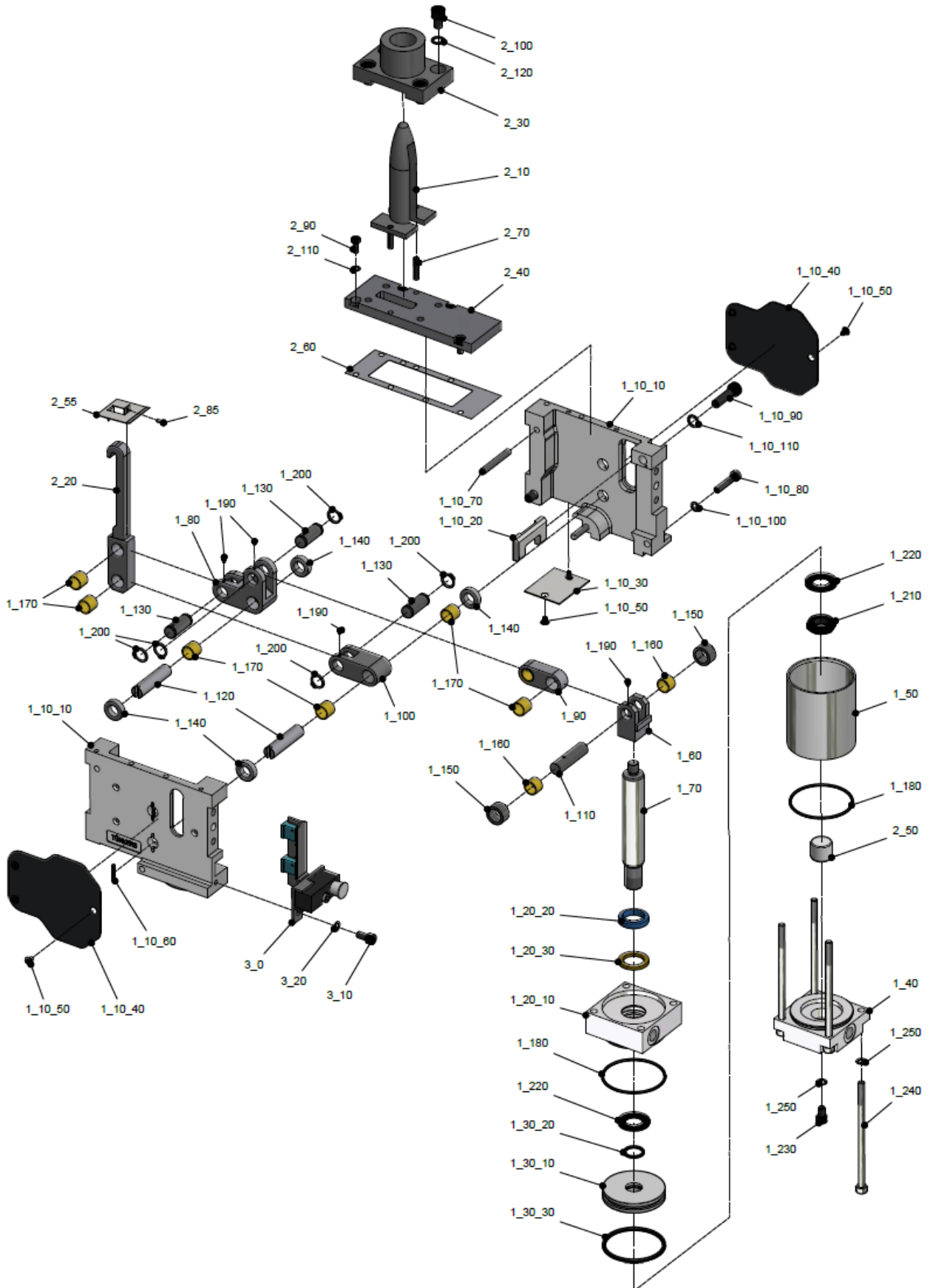
¹ Z = please state the 8-digit drawing number (see type plate)

² R = included with repair kit, D = included with seal kit

Underbody Clamp

Spare Parts Drawing (from week 34/2018)

K 60.1 UZ HR



Subject to technical modifications.

17.09.2019