

Underbody Clamp Spare Parts List

(until week 31/2015)

K 60.1 UZ HR

Spare Parts List

Pos.	Part-No.	Quantity	Description	Type	Flag. ¹
1_10	365823	1	housing complete	K 60 UZ	
1_30	207050	1	cylinder tube	K 60 UZ	
1_40	231557	1	cylinder head complete	K 60 U / UZ	
	207009	1	cylinder head	K 60 U	
	212539	1	scraper ring	Ø 20/Ø 28,6 x 6.5	RD
	212583	1	rod seal PR	Ø 20/Ø 29,0 x 2.8	RD
1_50	206907	1	cylinder bottom	K 60 UZ	
1_60	203595	1	fork piece complete	K 60 UZ	
1_70	204939	1	piston rod	K 60 UZ	
1_80	206443	1	angle fork	PKS 50 UZ	
1_90	205375	1	strap	PKS 50 UZ	R
1_100	205376	1	strap	PKS 50 UZ	R
1_110	202690	1	bolt	PKS 50 UZ	R
1_120	202607	2	bolt	PKS 50 U	R
1_130	202691	3	bolt	PKS 50 UZ	R
1_140	231216	1	piston complete	PKS 60 UO	
	204803	1	piston	PKS 60 UO	
	201682	1	o-ring	16 x 2	RD
	201804	1	o-ring	54 x 3	RD
1_150	205349	2	roller	PKS 50 SHZ	R
1_160	203171	4	distance piece	PKS 50 UZ	
1_170	368248	2	cover sheet	APH 60 FUZ	
1_190	201581	2	bush	12 x 14 x 10 DIN 17662	R
1_200	201582	8	bush	12 x 14 x 12 DIN 17662	R
1_210	201812	2	o-ring	57 x 2	RD
1_220	200679	1	hexagon nut	M 16 x 1.5 DIN 439	
1_230	220325	2	washer	B 17 vz DIN 125	
1_240	201294	10	securing ring	12 x 1 DIN 471	R
1_250	200611	4	set screw	M 4 x 5 DIN 915	R
1_280	200479	6	hex. socket countersunk head screw	M 4 x 6 DIN 7991	
1_290	200459	4	hexagon socket head cap screw	M 5 x 12 DIN 7984	
1_300	200165	1	hexagon socket head cap screw	M 6 x 10 DIN 912	
1_310	200197	4	hexagon socket head cap screw	M 6 x 116 DIN 912	
1_340	200975	1	securing spring washer	S 5	
1_350	200976	5	securing spring washer	S 6	
2_10		1	centering pin	depending on version	
2_20		1	clamping hook	depending on version	
2_30		1	housing lid	depending on version	
2_40		1	top plate	depending on version	
2_50		1	cover sheet	depending on version	
2_60		1	buffer	depending on version	
2_70		4	hexagon socket head cap screw	depending on version	
2_80		4	securing spring washer	depending on version	
2_90		2	parallel pin	depending on version	
2_100		1	hexagon socket head cap screw	depending on version	
2_110	218798	1	adaptor plate	as needed	

spare parts sets / accessories

Pos.	Part-No.	Quantity	Description	Type	
	381990	1.00	repair kit	K 60.1 UZ HR	
	203079	1.00	seal kit	K 60 UZ	
3_0	284388	1.00	limit switch set complete T12 P+F	K 60 UZ	
	284391	1.00	limit switch set complete T12 Turck	K 60 UZ	
	280764	1.00	limit switch set complete T12 P+F	K 60 UZ with reduced stroke	
	358339	1.00	limit switch set complete T12 Turck	K 60 UZ with reduced stroke	
4_0	214091	1.00	hexagon socket head cap screw	M 5 x 25 DIN 912	
5_0	214090	1.00	washer	Ø 5,3	

¹ R = included with repair kit, D = included with seal kit

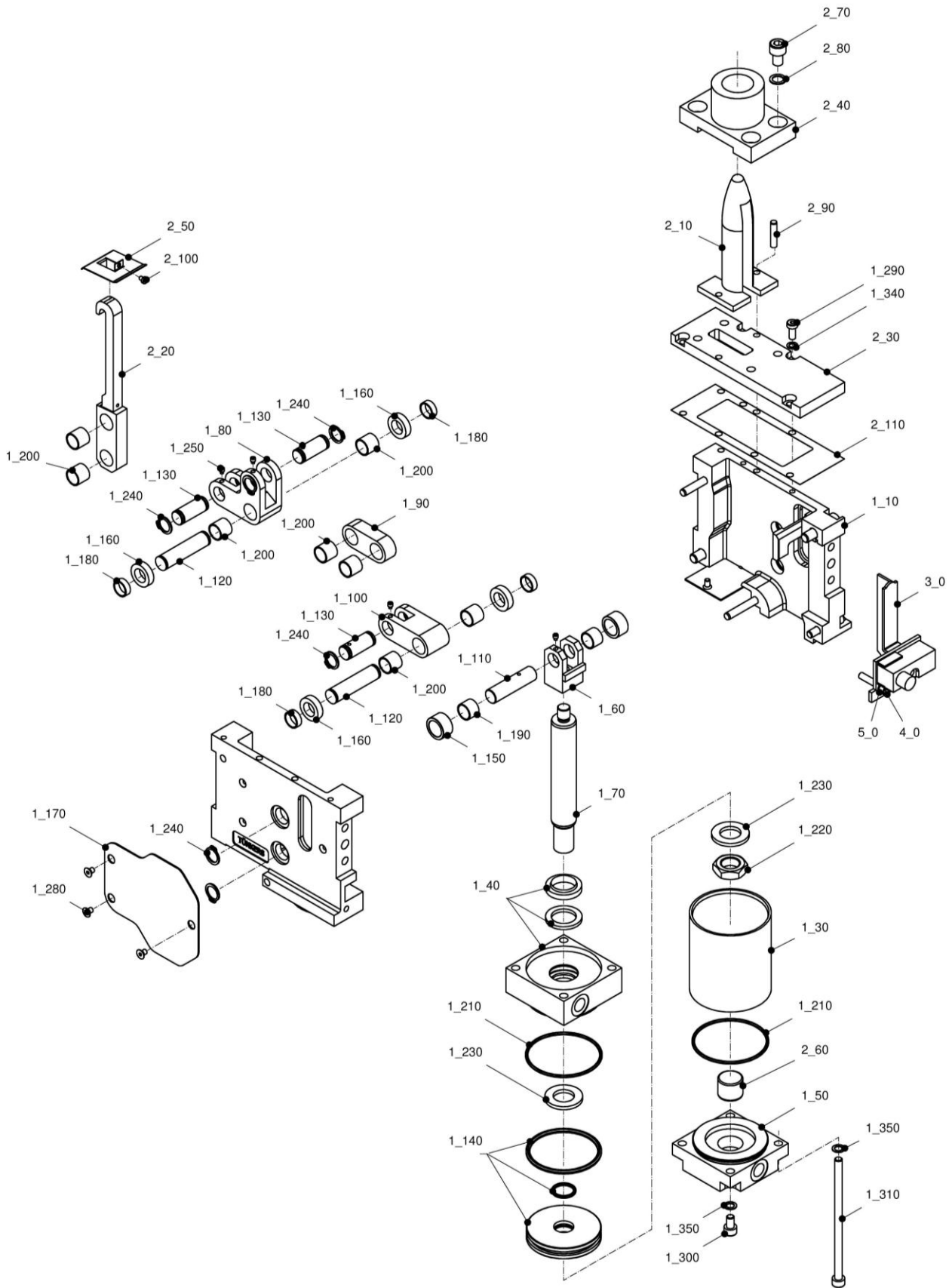
Subject to technical modifications.



09.12.2015

Underbody Clamp Spare Parts Drawing (until week 31/2015)

K 60.1 UZ HR



Subject to technical modifications.

09.12.2015