



Spare Parts List

K 60 U

Spare Parts

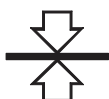
06/12

Pos.	Part-No.	Quantity	Description	Type	Flag ¹
10	204028	1.00	housing, devided	K 60 U	
20	203691	1.00	fork shaped piece complete	K 60 U	
30	205307	2.00	strap	PKS 50 U	R
40	203442	1.00	fork complete	PKS 60 UO	
50	206122	1.00	clamping hook	PKS 60 UO	
60	202666	1.00	bolt	PKS 60 UO	R
70	202667	1.00	bolt	PKS 60 UO	R
80	202664	1.00	bolt	PKS 60 UO	R
90	202665	1.00	bolt	PKS 60 UO	R
100	205359	4.00	roller	PKS 50	R
110	205284	6.00	bush	FKSI 40	R
120	202235	2.00	cover plate	PKS 60	
180	207009	1.00	cylinder head	K 60 U	
190	206930	1.00	cylinder tube	K 60 U	
200	206907	1.00	cylinder bottom	K 60 U	
210	204942	1.00	piston rod	K 60 U	
220	204803	1.00	piston	PKS 60 UO	
250	205859	1.00	buffer	K 60 U	
300	200423	1.00	hexagon socket head cap screw	M 6 x 30 DIN 6912	
310	200435	3.00	hexagon socket head cap screw	M 8 x 35 DIN 6912	
320	200976	1.00	securing spring washer	S 6	
330	200977	3.00	securing spring washer	S 8	
340	201237	2.00	parallel pin, hardened	Ø 6 m6 x 55 DIN 6325	
350	200621	3.00	set screw	M 6 x 8 DIN 915	R
360	200546	1.00	set screw	M 6 x 50 DIN 913	R
370	200470	4.00	slotted countersunk head screw	M 5 x 8 DIN 963	
380	201294	2.00	securing ring for bores	A 12 x 1,00 DIN 471	
390	200894	4.00	shim ring	PS 12 x 18 x 0,1 DIN 988	
400	201583	6.00	bush	Ø 12/ 14 x 15 DIN 17662	R
410	200723	1.00	prevailing torque type self locking nuts	M 6 DIN 980	
450	200464	1.00	hexagon socket head cap screw	M 6 x 10 DIN 7984	
460	200204	4.00	hexagon socket head cap screw	M 6 x 140 DIN 912	
470	200976	5.00	securing spring washer	S 6	
480	201812	2.00	o-ring	57,00 x 2,00	RD
490	201804	1.00	o-ring	54,00 x 3,00	RD
500	201677	1.00	o-ring	15,00 x 2,00	RD
510	212583	1.00	rod seal	Ø 20/Ø 29,0 x 2,8	RD
520	212539	1.00	scraper	20/28,6 x 6,5	RD
530	200764	1.00	washer	A 17.0 DIN 125	
540	200711	1.00	hexagon nut	M 16 x 1,5 DIN 934	

spare parts / accessories

Pos.	Part-No.	Quantity	Description	Type	
	218470	1.00	repair kit	K 60 U	
	203081	1.00	seal kit	K 60 U	
	284388	1.00	limit switch set complete	K 60 UZ T12	

¹ R = included with repair kit, D = included with seal kit



TÜNKERS®

SPANNSYSTEME

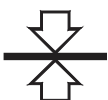
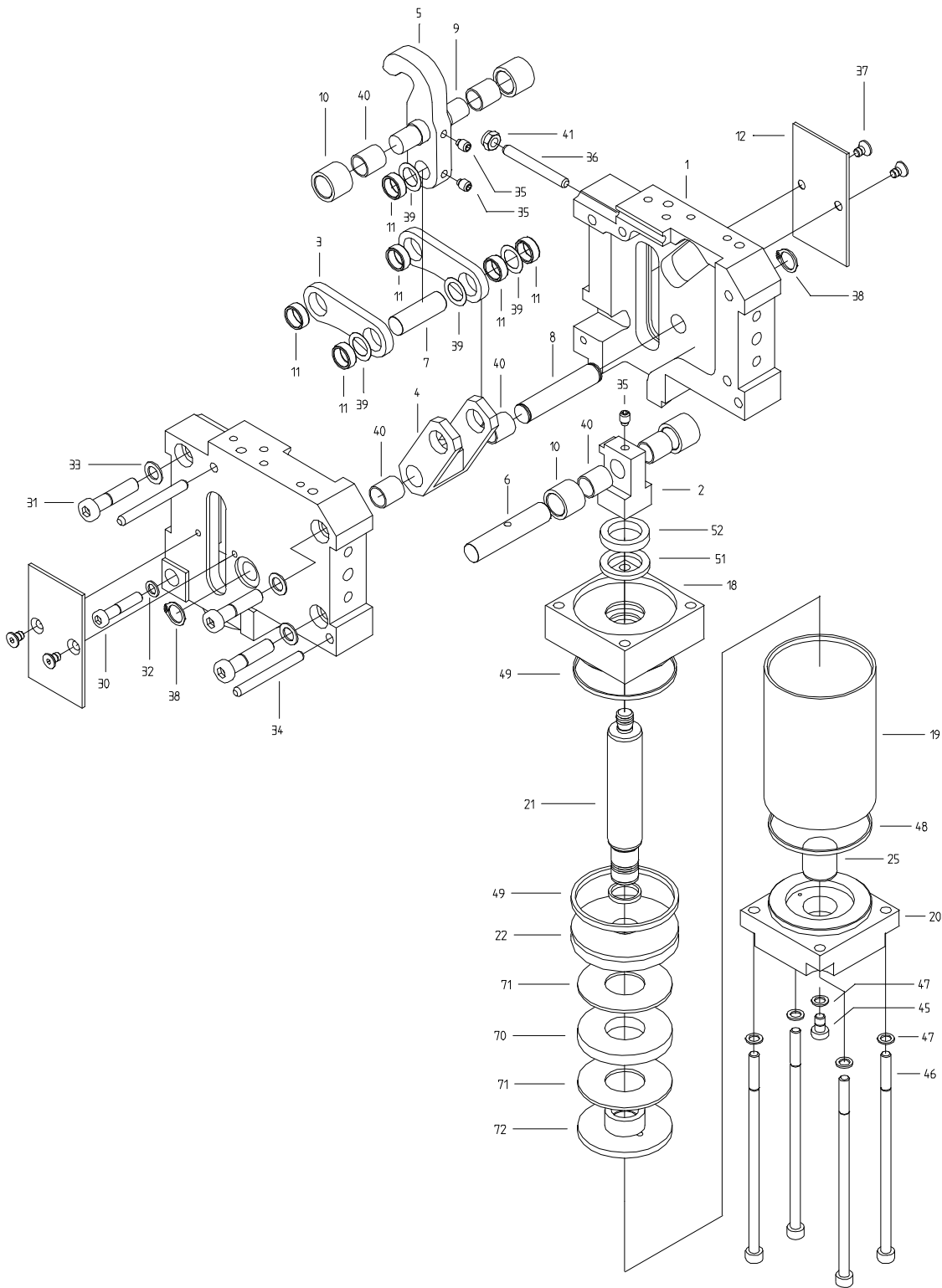
TÜNKERS® Maschinenbau GmbH
Am Rosenkoth 8 • 40880 Ratingen
Postfach 10 17 16 • 40837 Ratingen
Tel. 02102 4517-0 • Fax 02102 445808
Internet: www.tuenkers.de



Spare Parts Drawing

K 60 U

04/08



TÜNKERS®
SPANNSYSTEME

TÜNKERS® Maschinenbau GmbH
Am Rosenkothen 8 • D-40880 Ratingen
Postfach 10 17 16 • D-40837 Ratingen
Tel. 02102 4517-0 • Fax 02102 445808
Internet www.tuenkers.de