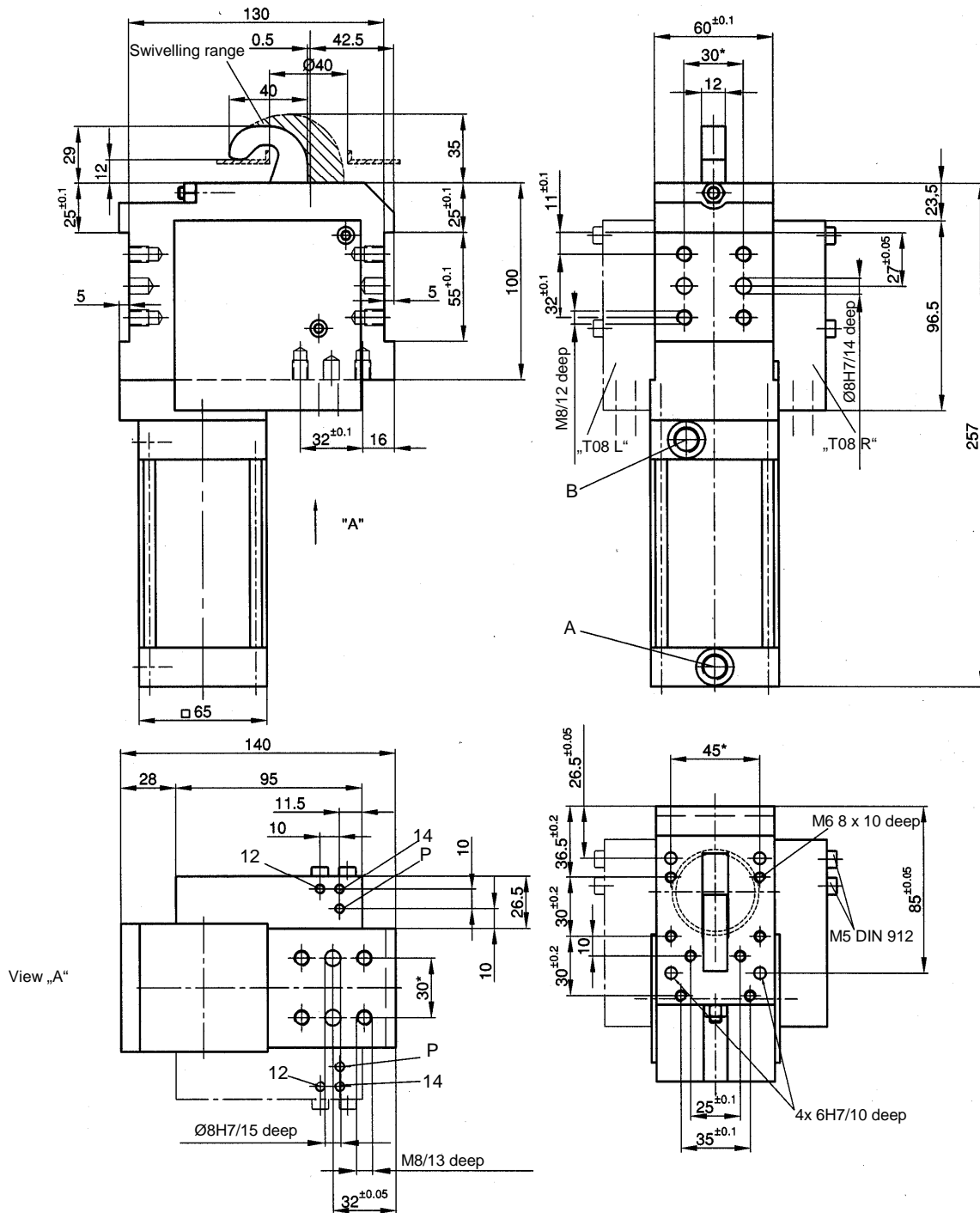


Underbody Clamp

Self-locking type, with swivelling and vanishing hook

K 60 U T08



Ordering example:

K 60 U T08 R

K 60 U: Type
 T08: Sensing system
 R: Mounted on right (L = left)

*Clamping force at 6 bars: 330 daN
 *Holding force: 330 daN
 Working pressure: max. 8 bar
 Piston Ø: 60 mm
 Weight: 3,8 kg

Maximum load (*) depends on diameter of
 dowel pin and geometry of the hook.

A: tension
B: release tension
P: pressure connection for sensing M5
14: control system A M5
12: control system B M5

Medium: Air, max. 8 bar, operation permitted with oil-free air.

Attention!

External throttle check valves must be provided on
 assembly. They are not included in the scope of delivery!