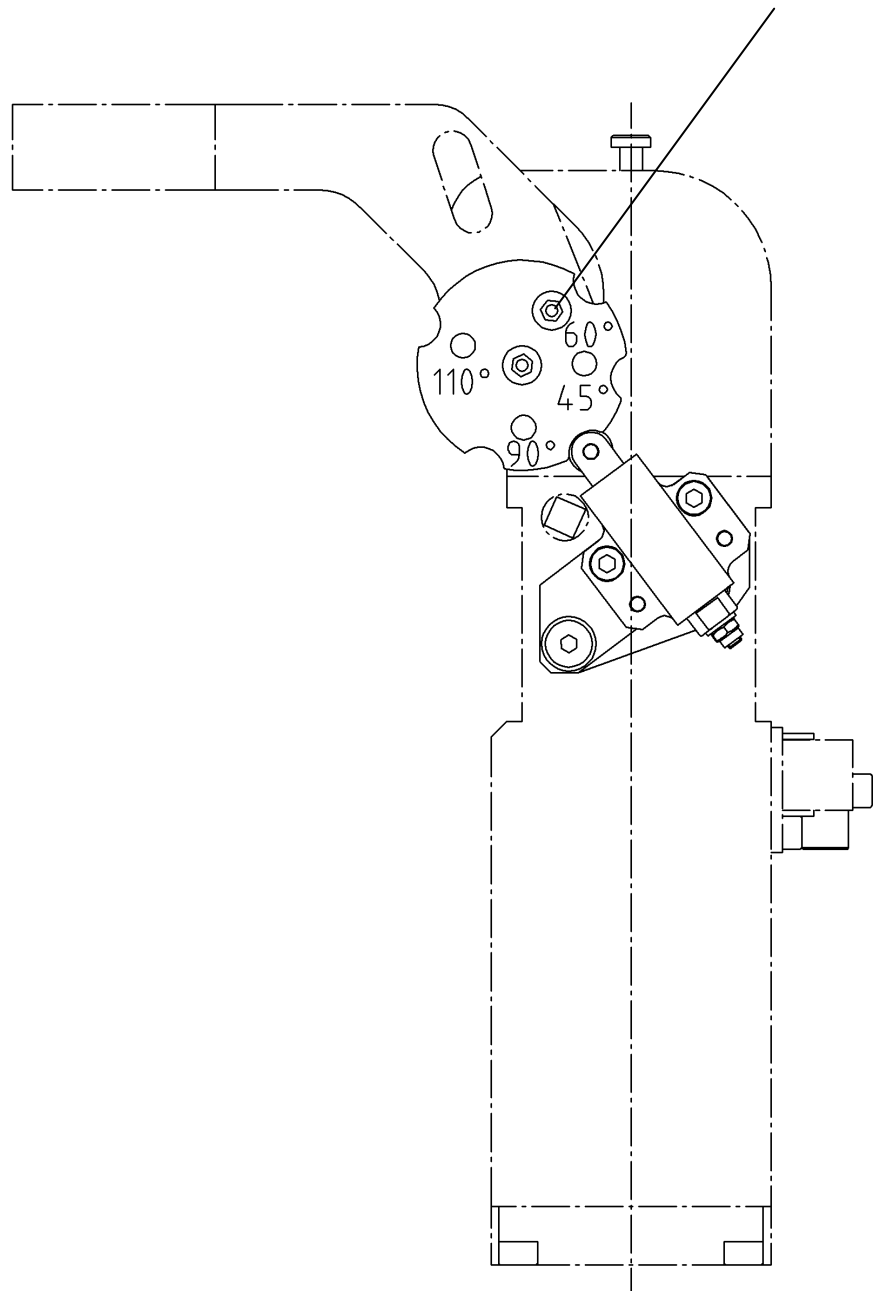
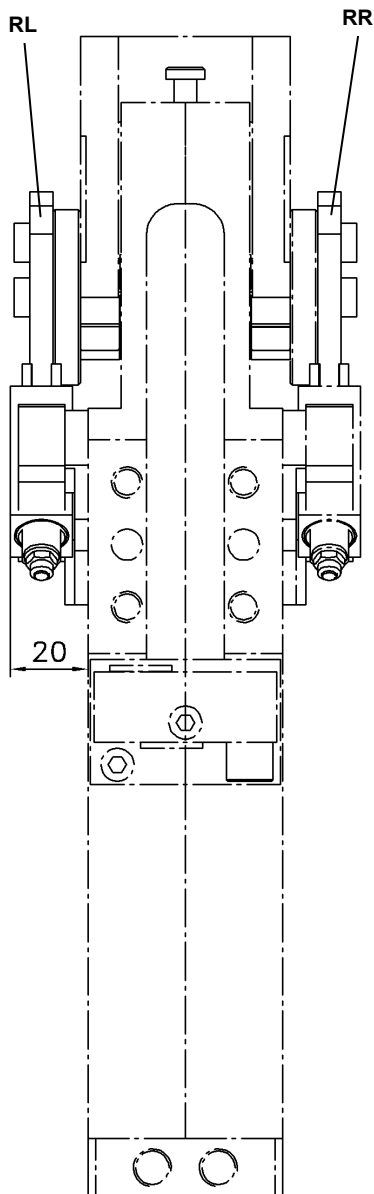


Retaining Clip

for ALPHA Clamp APH 40.5 V Z A60

...R

When the retaining clip is attached later, this bore hole must be added additionally.



Ordering example for clamp with retaining clip:

APH 40.5 V Z RR A60

APH 40.5 V Z: Type
RR: Retaining clip right
(RL: retaining clip mounted to the left; the mounting position should always be stated)
A60: Clamp arm version

Ordering example for retaining clip:

Article no. 270660: Type RR 40.5 VZ, retaining clip right
Article no. 270661: Type RL 40.5 VZ, retaining clip left

Standard opening angles of retaining clip:

45°, 60°, 90°, 110°

Please refer to the relevant data sheets of the clamps for more technical information.