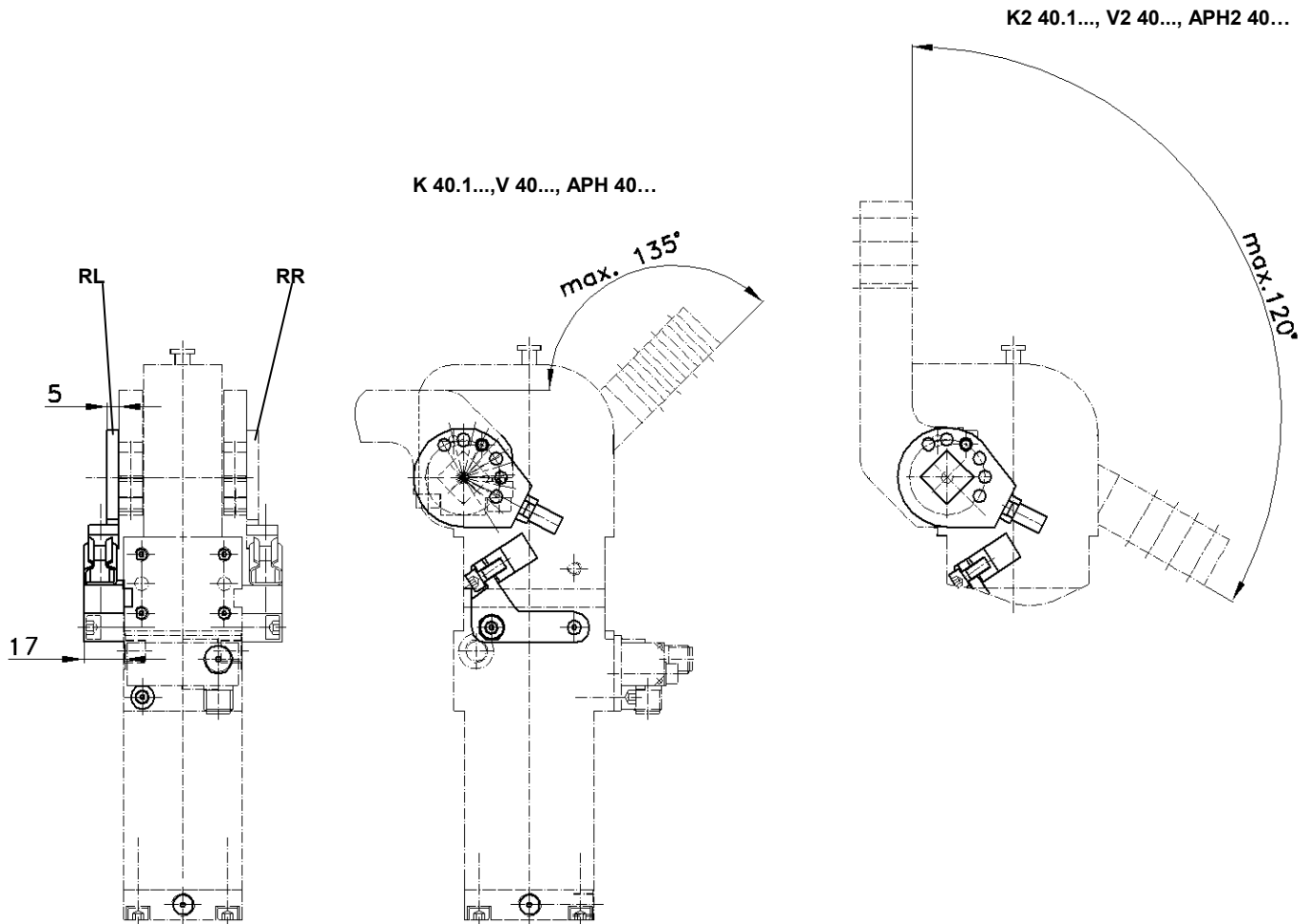


Retaining Clip

for power clamps K 40.1, V 40 and APH 40

...R



Ordering example for clamp with retaining clip:

K 40.1 RR

K 40.1:

RR: Clamp type
Retaining clip, mounting position right side
(RL: Retaining clip, mounting position left side; the position must be mentioned when ordering)

Standard angles for locking position:

30°, 45°, 60°, 75°, 90°, 105°, 120°, 135°

For further technical information please see separate data sheets of the according clamps.

Attention!

When retrofitting a clamp with the retaining clip, additional bores are required in the drive shaft and in the clamp arm.

Additionally in "Z" version, the square for the hand lever must be milled on the side on which the retaining clip is to be mounted.

Ordering example retaining clip:

Part no. 238073 Type RR 40, retaining clip right side

Part no. 238072 Type RL 40, retaining clip left side

