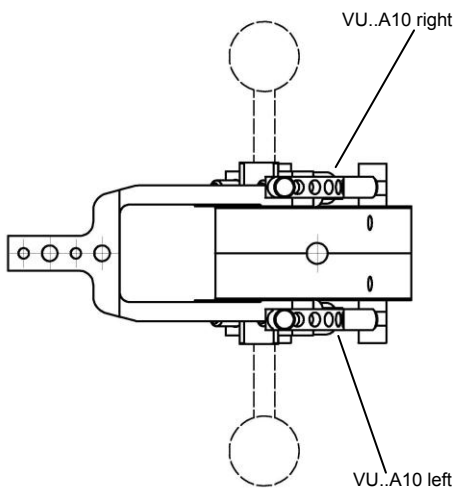
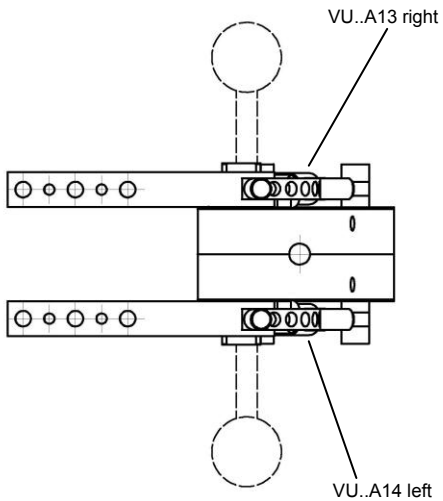
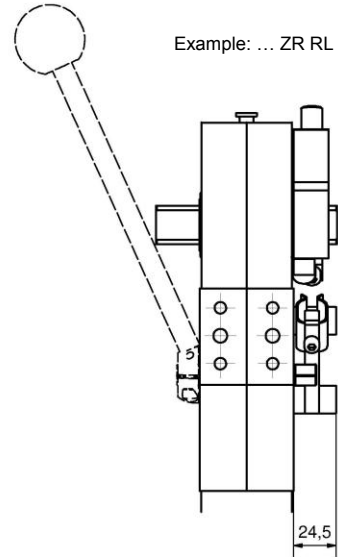
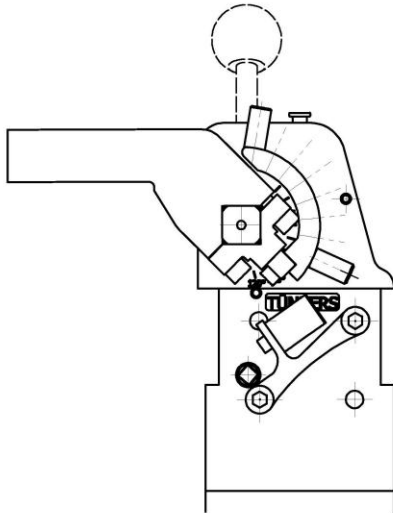


# Retaining Clip

for power clamps KU 50/63, VU 50.1/63.1 and UA 50/63

R..



**Connection with clamps with hand lever:**

ZL RR = hand lever left, retaining clip right  
 ZR RL = hand lever right, retaining clip left

**Ordering example for clamp with retaining clip:**

VU 50.1 BR2: Clamp type  
 RR: Retaining clip right  
 (RL = retaining clip left)

**Ordering codes retaining clip:**

VU 50 A13/A14 left: art no. 230439  
 VU 50 A13/A14 right: art no. 230437  
 VU 50 A10 left: art no. 230433  
 VU 50 A10 right: art no. 230435  
 VU 63 A13/A14 left/right: art no. 224806  
 VU 63 A10 left/right: art no. 261115

**Standard angles for locking position:**

30°, 45°, 60°, 75°, 90°, 105°, 120°, 135°

**Attention!** In "Z" version of size 50 clamps, the square for the hand lever must be milled on the side on which the retaining clip is to be mounted.

For further technical information see separate data sheets of the according clamps.