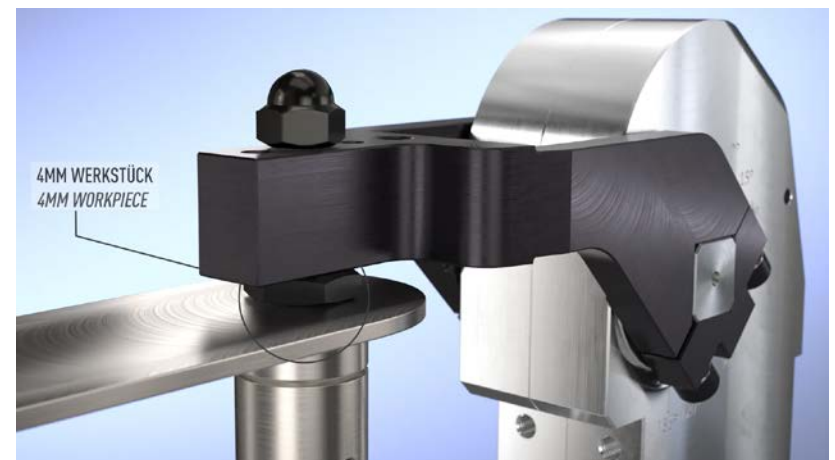
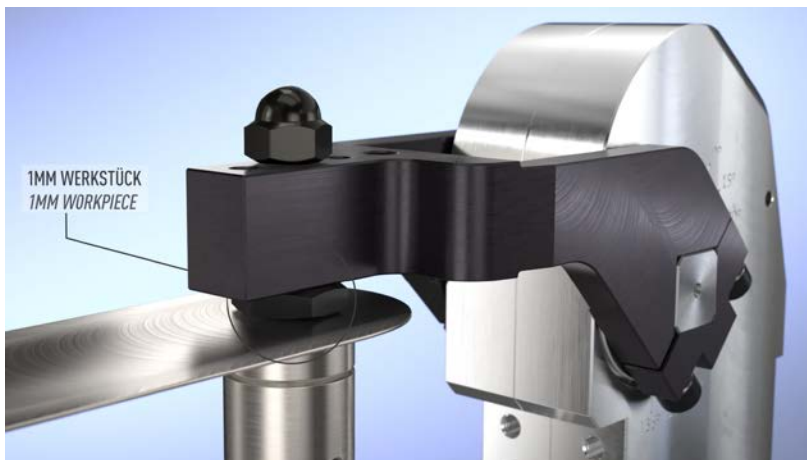


Plane-parallel clamp with constant clamping force

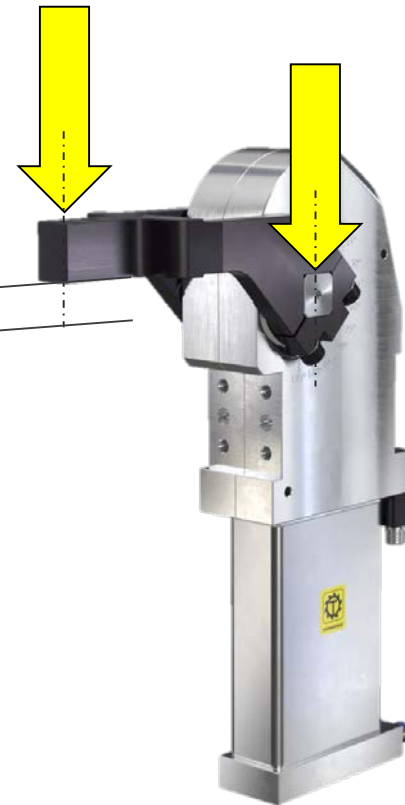
- Plane-parallel clamp with constant clamping force
 - Special mechanism integrated into the housing for
 1. Swivelling of the clamp arm in clamping position, parallel to the workpiece
 2. Parallel lowering of the clamp arm with constant clamping force 0-4 mm!
- Contour pieces of clamp arm and counter position are always parallel!
- No contour piece offset from rotary movement!
- Compensation of different sheet thicknesses
- No shims at the arm necessary



135°



4 mm



UP 63

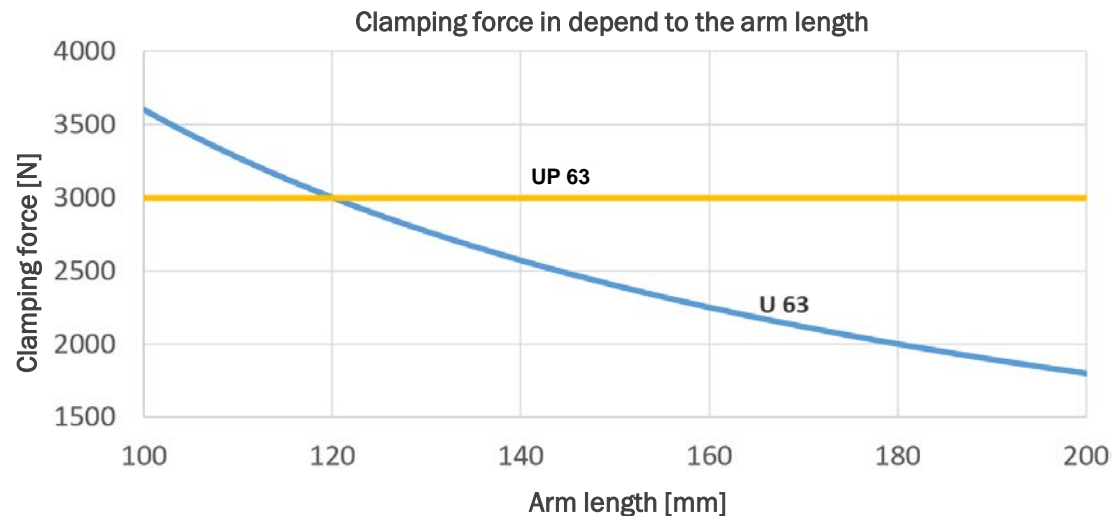
Two Movements

1. Pivoting to 135°

2. Parallel clamping to 4 mm



- Sheet thickness compensation
- Reduced air consumption up to 30%
- Same housing connection and clamping arms as usual clamps
- Same clamping force compared to conventional force clamps
- Both air connections space-optimized in the cylinder base
- Fully encapsulated aluminum housing - No slot for mounting the sensor cassette
- New T24 two-part query concept



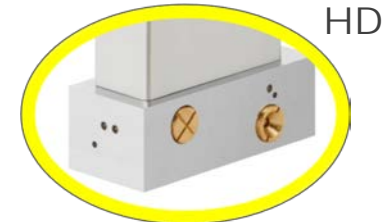
- IO-Link – Query for Condition Monitoring etc.



- W – with welding resistant coating



- H / HD – integrated stop valves in the cylinder bottom



- RB – integrated retaining clip in the cylinder base



Servo electric plane-parallel clamp - EUP 63

- 24V servo drive
- Backlash-free and self-locking trapezoidal spindle
- Freely adjustable opening angle with intermediate positions possible
- conditioning monitoring
 - Sheet thickness detection
 - Detection of faults
 - Detection of missing parts
 - wear control



TÜNKERS Maschinenbau GmbH
Herr Pascal Stöters
Am Rosenkoth 4-12
40880 Ratingen

Telefon +49 (0) 2102-45 17-188
Telefax +49 (0) 2102-45 17-9999

E-Mail pascal.stoeters@tuenkers.de
Internet www.tuenkers.de

YouTube 