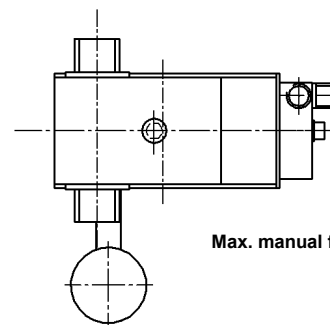
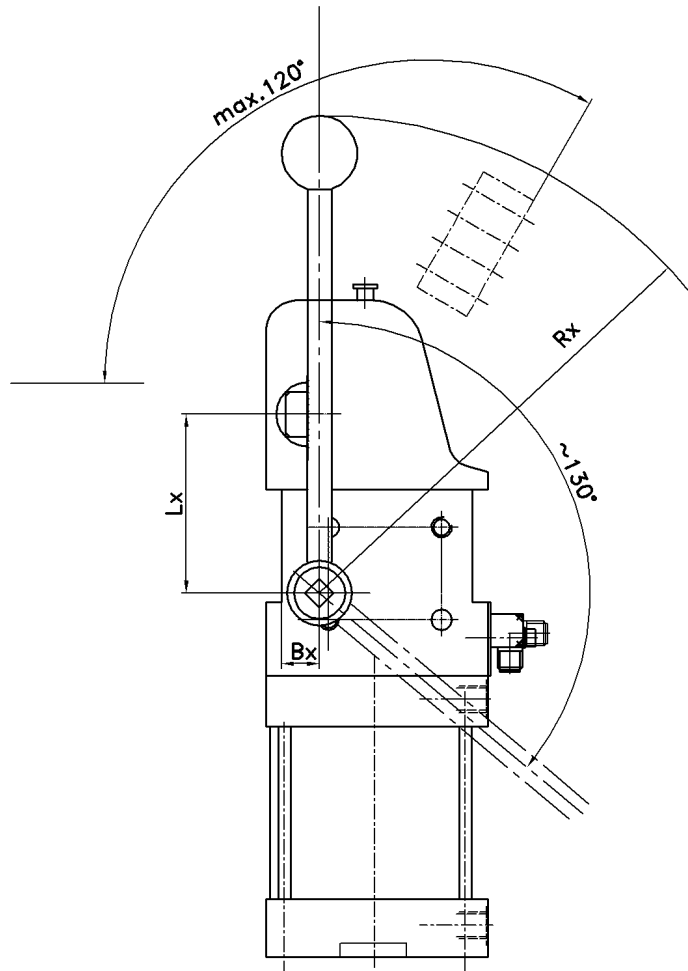
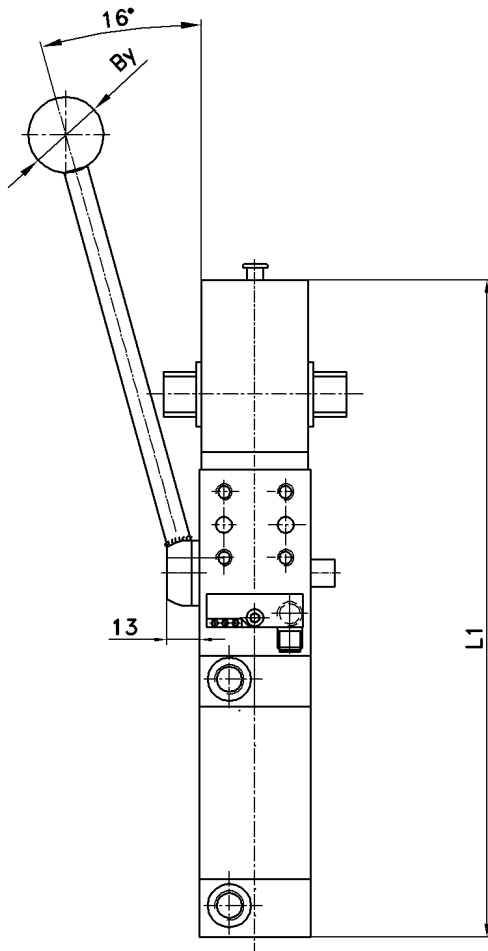


Vario Clamp

NAAMS standard, totally enclosed, self holding type, stepless adjustable opening angle, with hand lever

VU... .1 BR2 Z A05

5° - 120°



Max. manual force: 200 N

Ordering example:

VU 50.1 BR2 Z A05 T12

VU 50.1 BR2 Z A05: Type
T12: Sensing system

Ordering example Tünkens sensing systems:

...T00 Without sensing
...T12 Inductive sensor 24 V, 1 output with integrated LED's

A 5/3 way valve is required, central position de-aerated.
The hand lever and adapter are supplied unmounted and can be assembled either left or right.
The welding of the hand lever in any position is carried out by the customer.

*Tolerance for dowel holes ± 0,02, for threaded holes ± 0,1.
Medium: Air, max. 6 bar, operation permitted with oil-free air.

Attention:
External throttle check valves must be provided on assembly.
They are not included in the scope of delivery!

Type	Holding torque max.	Clamping moment at 5 bar	According to piston Ø (mm)	Weight ~ (kg)	L1	Bx	By	Lx	Rx
VU 50.1 BR2 Z	800 Nm	160 Nm	50	4,3	321	17	40	68	200
VU 63.1 BR2 Z	1500 Nm	380 Nm	63	5,7	361	17	40	86	200