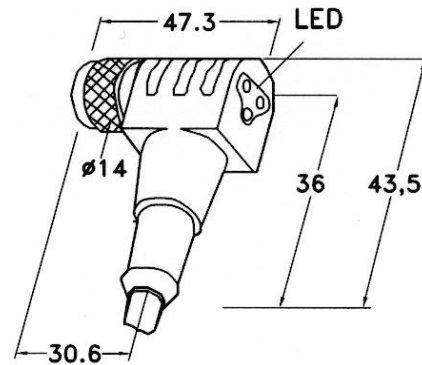
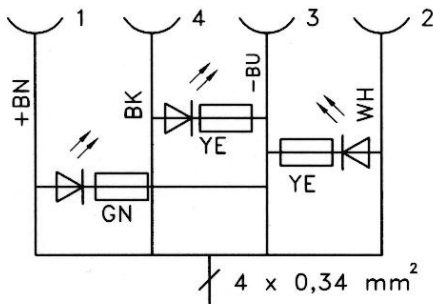


Characteristics

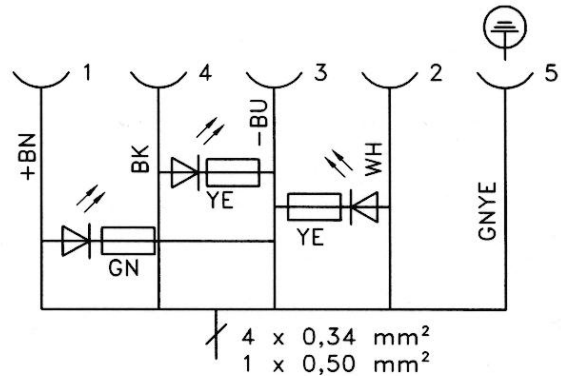
- Right-angled cable coupling for connection to Tünkers clamping / joining systems
- Protection class IP67
- 3 LED displays for operating voltage (green) and two switch statuses (yellow)
- Cable lengths 5m, 10m



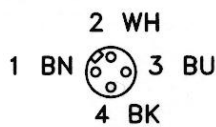
4-pole circuit: WK 4



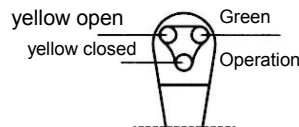
5-pole circuit: WK 5



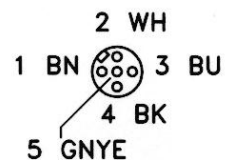
Pin assignment



Layout of LEDs



Pin assignment



Order key

Type		Length m
WK 4-05	4-pole	5
WK 4-10	4-pole	10
WK 5-05	5-pole	5
WK 5-10	5-pole	10

Specifications:

Nominal current	4.0 A
Nominal voltage	10...30 VDC
Cable sheath material	PVC, irradiated
Cable sheath colour	orange
Outside diameter	5.2 ±0.2mm
Conductors WK 4	4x0.34mm²
WK 5	4x0.34mm²/ 1x0.50mm²
Output function	PNP
Insulation resistance	≥10⁹
Admissible ambient temperature	-25...80°C