



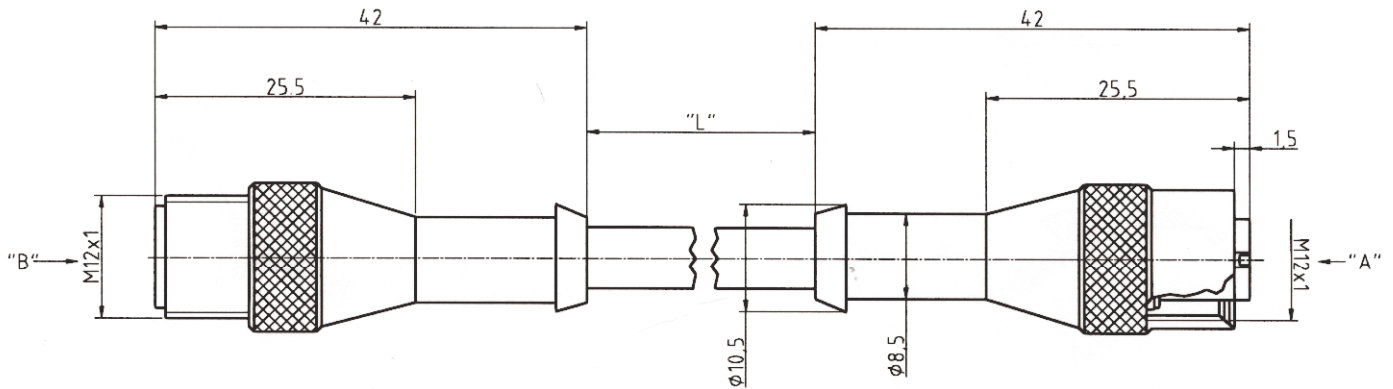
1 = brown
2 = white
3 = blue
4 = black

View „B“



1 = brown
2 = white
3 = blue
4 = black

View „A“



Characteristics

- Cable for connection to Tünkers clamping and joining systems
- Protection class: IP 67
- Cable length: 5m ; 10m

Specifications

- Nominal current: 4,0 A
- Nominal voltage: 10...30 VDC
- Cable sheath material: PVC ray cross-linked
- Cable sheath colour: orange
- Outside diameter: 5,0mm \pm 0,2mm
- Number of poles: 4 x 0.34
- Admissible ambient Temperature: -25...80°C

Order example:

WKG 4 - 5 (10)
Type: | L= Cable length
Number of poles