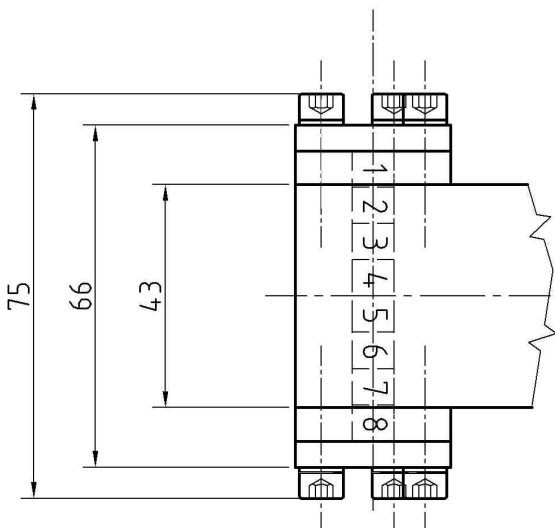
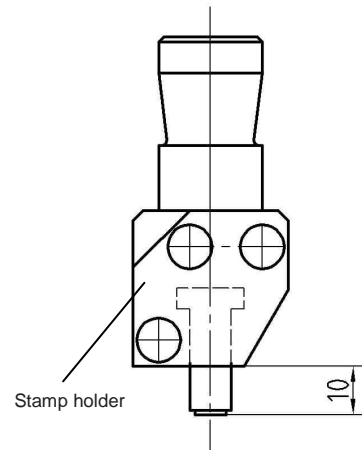
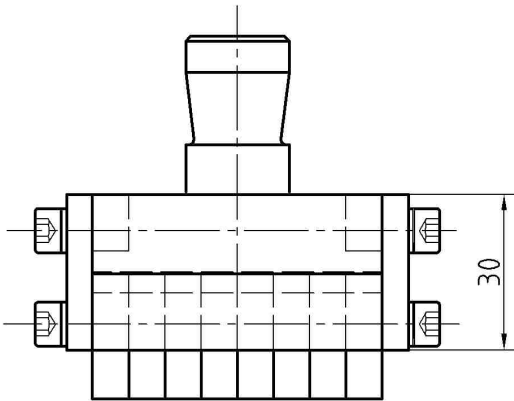


Type Holder

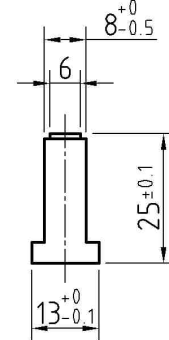
Standard, letter height 6mm, 8 digits

PTH 8

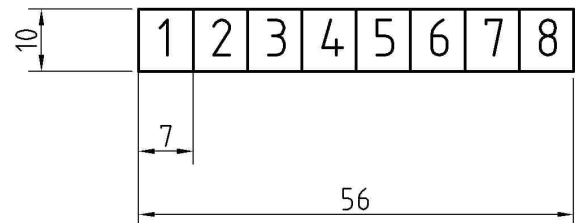
Version: 25.04.2001



Character stamp



Needed space for marking with standard type holder, 8 digits, 6mm letter height.



Ordering example:

PTH 8-6

- PTH: Type holder
- 8: Number of digits
- 6: Letter height 6mm

Middle letter type according to DIN 1451.

For more details regarding the complete marking unit with type holder, see separate data sheet PFS 400-60 PTH 8.

Index	Modification	Name	Datum
a	Modification display	Sr.	24.08.05

