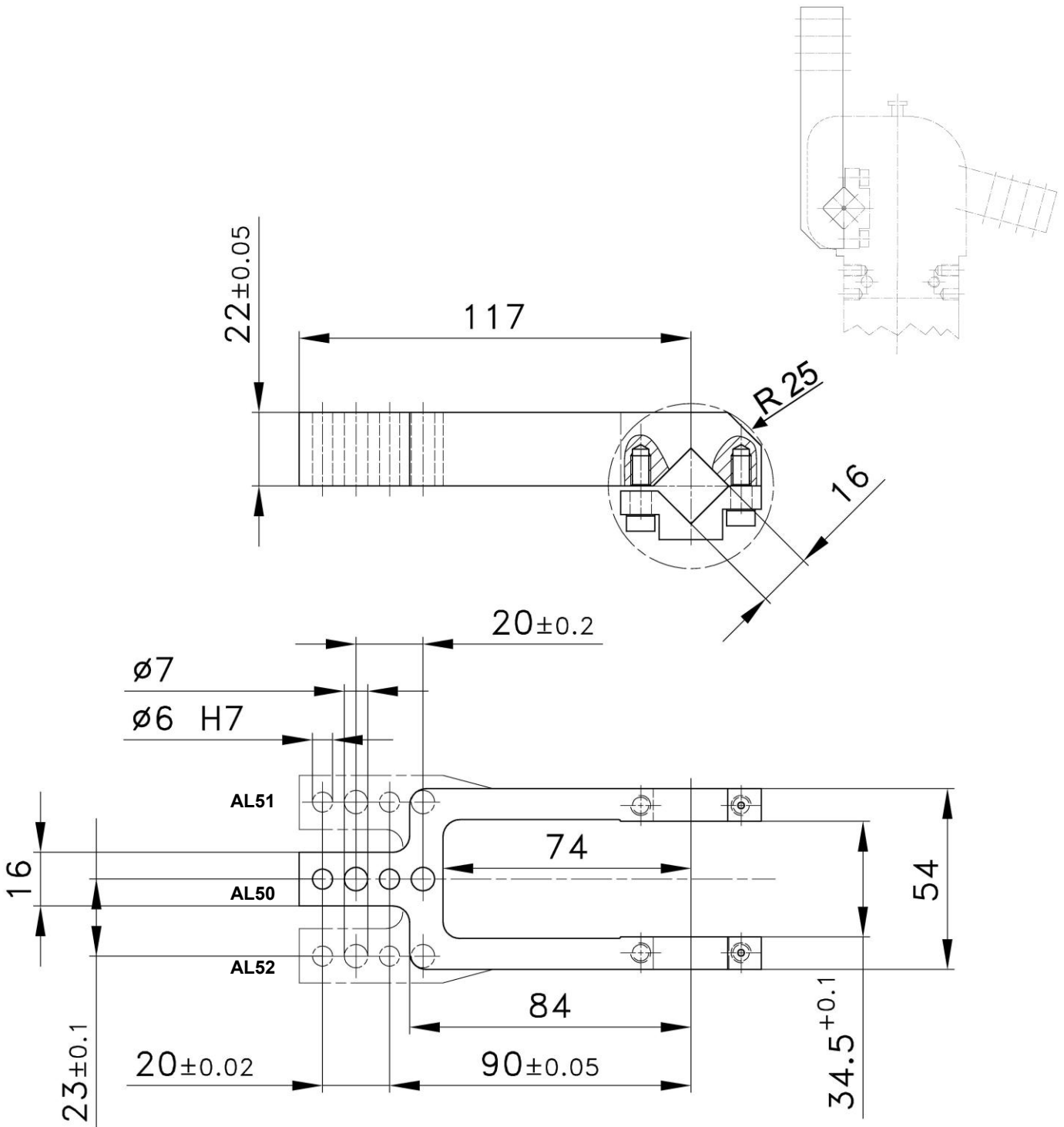


Clamp Arms

aluminum version
for Clamps size 40 with an offset of 0 mm,
clamp arm position 2 (vertical)

AL50, AL51, AL52



Ordering example clamp arm complete:

353890: Clamp arm complete 2 AL50 size 40

Ordering example for a complete clamp:

V2 40 LW AL50 T12

V2 40 LW: Type
AL50: Clamp arm version
T12: Sensing system

Clamp size	Clamp arm version 2 AL50 order no.	Clamp arm version 2 AL51 order no.	Clamp arm version 2 AL52 order no.	Weight ~ (kg)
40	353890	361727	361729	0,21