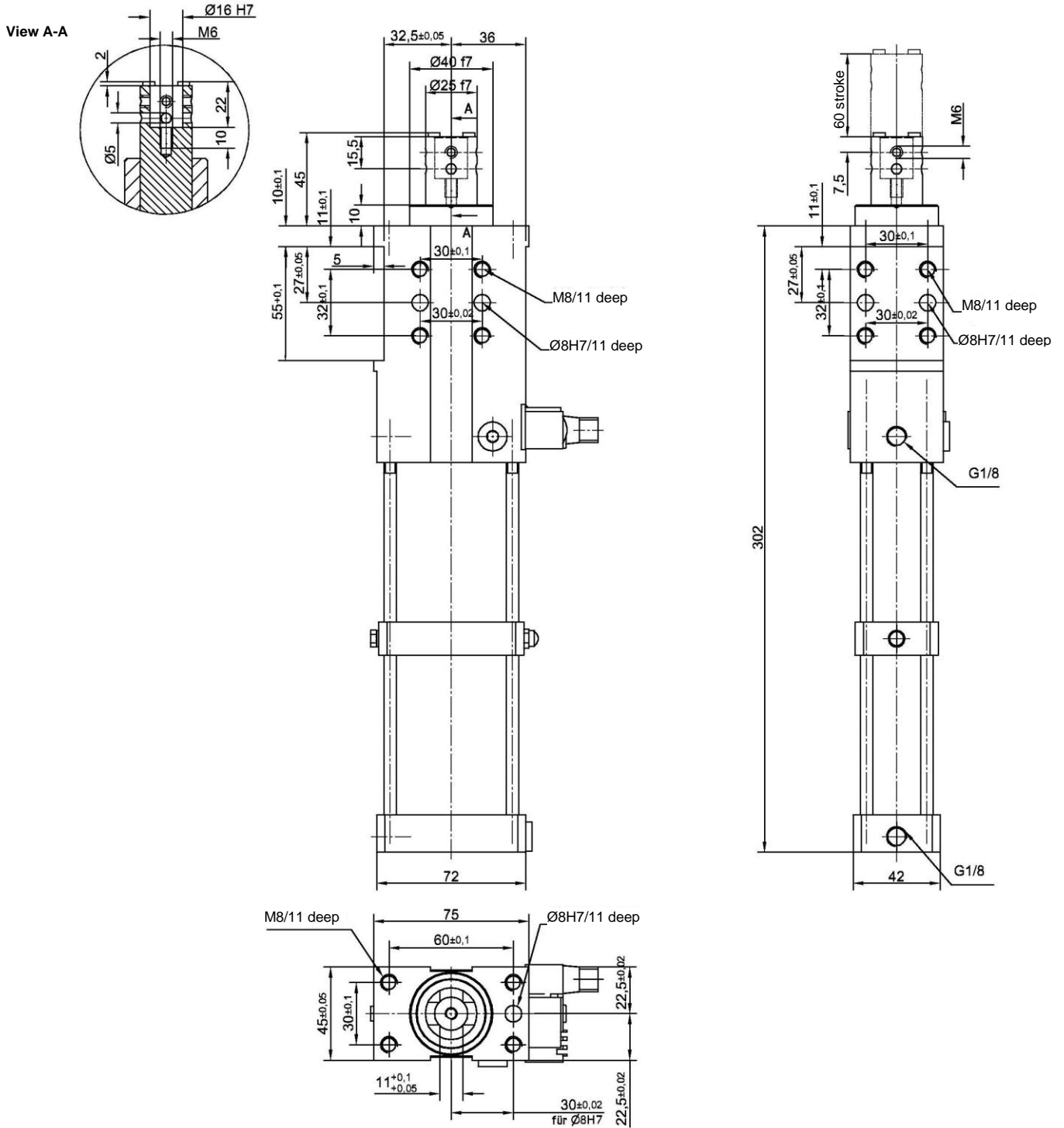


Retractable Locating Pin

anti rotating function, 60 mm stroke, with tandem cylinder

SZKT 40.1



Ordering example:

SZKT 40.1 T12

SZKT 40.1: Type
T12: Sensing system

Ordering example Tünkers sensing system:

...T12 Inductive sensor 24 V, 1 output with integrated LED's

*Tolerance for dowel holes ± 0.02, for threaded holes ± 0.1.

Medium: Air, max. 6 bar, operation permitted with oil free air.

Attention!

External throttle check valves must be provided on assembly. They are not included in the scope of delivery!

Type	Stroke	Stat. shear force max. (N)	Corresp. piston Ø (mm)	Tensile force at 6 bar (N)	Pressing force at 6 bar (N)	Weight ~ (kg)
SZKT 40.1	60	150 N	40	1370	750	1.9