

Spare parts

Pos.	Part no.	Quantity	Description	Type	Flag ¹
10	248174	1	base plate	LE 60-100	
20	248178	4	cover complete	LE 60	R
30	248179	2	piston	LE 60	
40	251753	2	push rod	LE 60-100	
50	251716	2	locking clamp	LE 60 (see separate list and drawing)	
55	257261	optional	plug	LE 60 for locking on one side	
60	276027	1	stop	LE 60-100	
70	251957	2	supporting plate	LE 60	R
80	234015	4	switch sheet metal	MZ 80 T02	
90	255361	2	adjusting plate	58 x 20 x 3,0	
100	248187	1	plate	LE 60-100	
110	251906	1	plate	LE 60	
120	251934	1	plate	LE 60	
130	248190	2	side plate	LE 60-100	
140	200281	2	hex. socket head cap screw	M 12 x 30 DIN 912	
150	200173	10	hex. socket head cap screw	M 6 x 25 DIN 912	
160	200171	16	hex. socket head cap screw	M 6 x 20 DIN 912	
170	200178	8	hex. socket head cap screw	M 6 x 35 DIN 912	
180	223043	8	hex. socket head cap screw	M 6 x 30 DIN 912	
185	200128	2	hex. socket head cap screw	M 3 x 16 DIN 912	
190	200979	2	securing spring washer	S 12,0	
200	200976	44	securing spring washer	S 6,0	
210	200973	2	securing spring washer	S 3,0	
215	200481	4	hexagon socket countersunk head screw	M 4 x 10 DIN 7991	
220	200534	6	set screw	M 8 x 12 DIN 553	
230	226906	4	screw plug	R 1/8	
235	201624	4	seal ring	A10x13,5x1,0 DIN 7603	RD
240	248192	4	rod seal	Ø 25/Ø 31,0 x 4,8	RD
250	248193	4	o-ring	55,00 x 2,00	RD
260	201796	2	o-ring	50,00 x 3,00	RD
270	201721	2	o-ring	25,00 x 3,00	RD
290	212594	2	rod seal	Ø 25/Ø 34,0 x 2,8	RD
300	248194	optional	shock absorber	SC 190 M-4 accessory	
310	226900	2	parallel pin	6,0m6 x 28 DIN 7979	
320	211460	14	expander seal plug	MB 700-050	
350	260497	2	buffer	Ø 40/Ø25,5 x 11,2	
360	255368	2	buffer	Ø 40/Ø25,5 x 13,6	
	264181	2	cover sheet	LE 60-100	
	200165	6	hex. socket head cap screw	M 6 x 10 DIN 912	
	200976	6	securing spring washer	S 6,0	
400	276035	4	proximity switch		
	200895	10	parallel key	12x18x0,2 DIN 988	

spare parts sets / accessories

Pos.	Part no.	Quantity	Description	Type	
	391933	1	repair kit	LE 60	
	260015	1	seal kit	LE 60	

Slide Unit Spare Parts List

LE 60-200 VRL SB T02

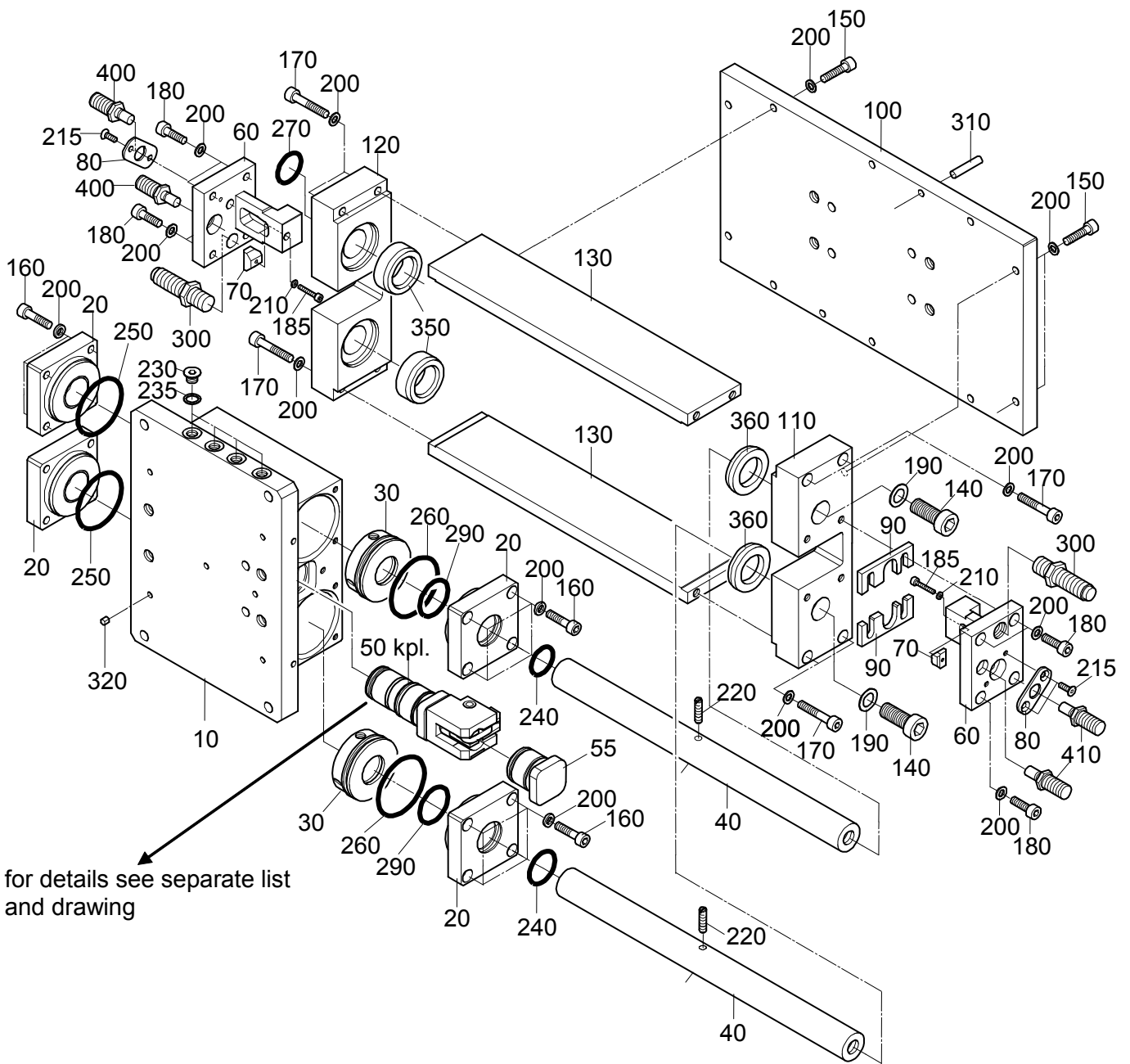
Spare Parts

Pos.	Part no.	Quantity	Description	Type	Flag ¹
10	255319	1	base plate	LE 60-200	
20	248178	4	cover complete	LE 60	R
30	248179	2	piston	LE 60	
40	255325	2	push rod	LE 60-200	
50	251716	2	locking clamp	LE 60(see separate list and drawing)	
55	257261	optional	plug	LE 60 for locking on one side	
60	276027	2	stop	LE 60-100	
70	251957	2	supporting plate	LE 60	R
80	234015	4	switch sheet metal	MZ 80 T02	
90	255361	2	adjusting plate	58 x 20 x 3,0	
100	255329	1	plate	LE 60-200	
110	251906	1	plate	LE 60	
120	251934	1	plate	LE 60	
130	255331	2	side plate	LE 60-200	
140	200281	2	hex. socket head cap screw	M 12 x 30 DIN 912	
150	200173	10	hex. socket head cap screw	M 6 x 25 DIN 912	
160	200171	16	hex. socket head cap screw	M 6 x 20 DIN 912	
170	200178	8	hex. socket head cap screw	M 6 x 35 DIN 912	
180	223043	8	hex. socket head cap screw	M 6 x 30 DIN 912	
185	200128	2	hex. socket head cap screw	M 3 x 16 DIN 912	
190	200979	2	securing spring washer	S 12,0	
200	200976	44	securing spring washer	S 6,0	
210	200973	2	securing spring washer	S 3,0	
215	200481	4	hexagon socket countersunk head screw	M 4 x 10 DIN 7991	
220	200534	6	set screw	M 8 x 12 DIN 553	
230	226906	4	screw plug	R 1/8	
235	201624	4	hex. socket head cap screw	A10x13,5x1,0 DIN 7603	RD
240	248192	4	rod seal	Ø 25/Ø 31,0 x 4,8	RD
250	248193	4	o-ring	55,00 x 2,00	RD
260	201796	2	o-ring	50,00 x 3,00	RD
270	201721	2	o-ring	25,00 x 3,00	RD
290	212594	2	rod seal	Ø 25/Ø 34,0 x 2,8	RD
300	248194	optional	shock absorber	SC 190 M-4 Sonderzubehör	
310	226900	2	parallel pin	6,0m6 x 28 DIN 7979	
320	211460	14	expander seal plug	MB 700-050	
350	260497	2	buffer	Ø 40/Ø25,5 x 11,2	
360	255368	2	buffer	Ø 40/Ø25,5 x 13,6	
	264272	2	cover sheet	LE 60-200	
	200165	6	hex. socket head cap screw	M 6 x 10 DIN 912	
	200976	6	securing spring washer	S 6,0	
400	276035	4	proximity switch		
	200895	10	parallel key	12x18x0,5 DIN 988	

spare parts sets / accessories

Pos.	Part no.	Quantity	Description	Type	
	391933	1	repair kit	LE 60	
	260015	1	seal kit	LE 60	





Spare parts

Pos.	Part no.	Quantity	Description	Type	Flag ¹
10	248334	1	housing	LE 60	
20	248380	1	piston rod	LE 60	
30	204784	1	piston	PKS 20	
40	248384	1	lid	LE 60	R
50	205329	1	strap	PKS 20	R
60	248385	1	clamping piece	LE 60	R
70	202636	1	bolt	PKS 20	R
80	202637	1	bolt	PKS 20	R
90	202638	1	bolt	PKS 20	R
100	205234	2	bush	PKS 20	R
110	205236	2	roller	PKS 25	R
120	248512	1	side sheet	LE 60	
130	224097	2	hexagon socket countersunk head screw	M 3 x 6 DIN 7991	
140	200574	1	set screw	M 3 x 4 DIN 914	
150	200694	1	hexagon thin nut	M 5 DIN 439	
160	200749	1	washer	A 5,3 DIN 125	
170	201725	2	o-ring	26,00 x 2,00	RD
180	227475	2	o-ring	24,00 x 2,00	RD
190	201682	2	o-ring	16,00 x 2,00	RD
210	212526	1	scraper	8/14,2x 5,00/0,0	RD
220	201653	1	o-ring	6,00 x 2,00	RD
230	201355	1	retaining ring	I 22,0 x 1,00 DIN 472	

spare parts sets / accessories

Pos.	Part no.	Quantity	Description	Type	
	260016	1	repair kit	locking clamp LE 60	
	260018	1	seal kit	locking clamp LE 60	

