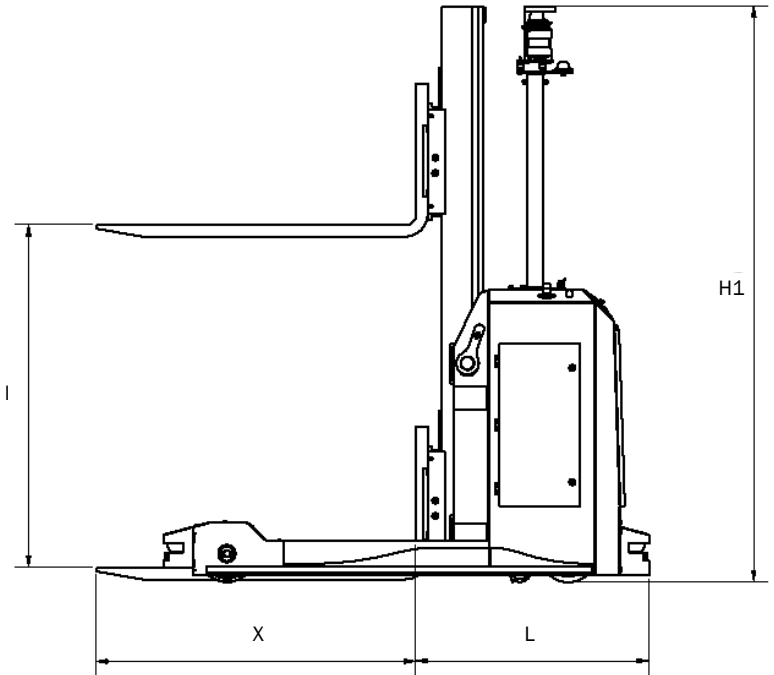
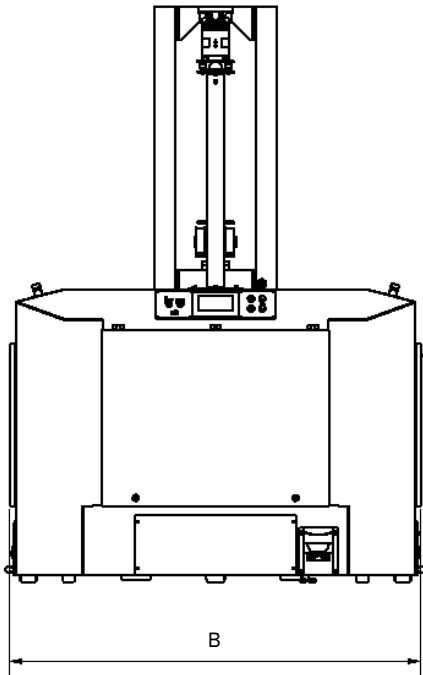


TBPM

TÜNKERS Big Pallet Mover



Ordering example:

TBPM I500 Laser

TBPM: Type
I500: Lift
Laser: Navigation system

Ordering example Tünkers Navigations system:

Laser: Using reflectors and laser-navigation sensor
Contour : Using a laser scanner
UWB: Using beacons and run-time measurement (in development)

Technical specifications:

Type	L	B	H	X
TBPM I500	1020	1796	2520	1400
TBPM I1000	1020	1796	2520	1400
TBPM I1500	1020	1796	2520	1400
TBPM I2000	1020	1796	2520	1400



Type	Traction capacity up to [kg]	Load capacity up to [kg]	Speed up to [m/s]	Lift [mm]	Operating Time (without loading) [h]	Power supply [V/Ah]	Safety
TBPM I500	6000	2000	1,2	500	8	24/140	2 Laserscanner
TBPM I1000	6000	2000	1,2	1000	8	24/140	2 Laserscanner
TBPM I1500	6000	2000	1,2	1500	8	24/140	2 Laserscanner
TBPM I2000	6000	2000	1,2	2000	8	24/140	2 Laserscanner

More technical details:

Power supply up to 500Ah possible

Tolerances:

Position accuracy: fine positioning system +/- 0,1mm (MCP80 on request)
contour +/-10mm
laser scanner +/- 15mm

Turning position: +/- 0,1°