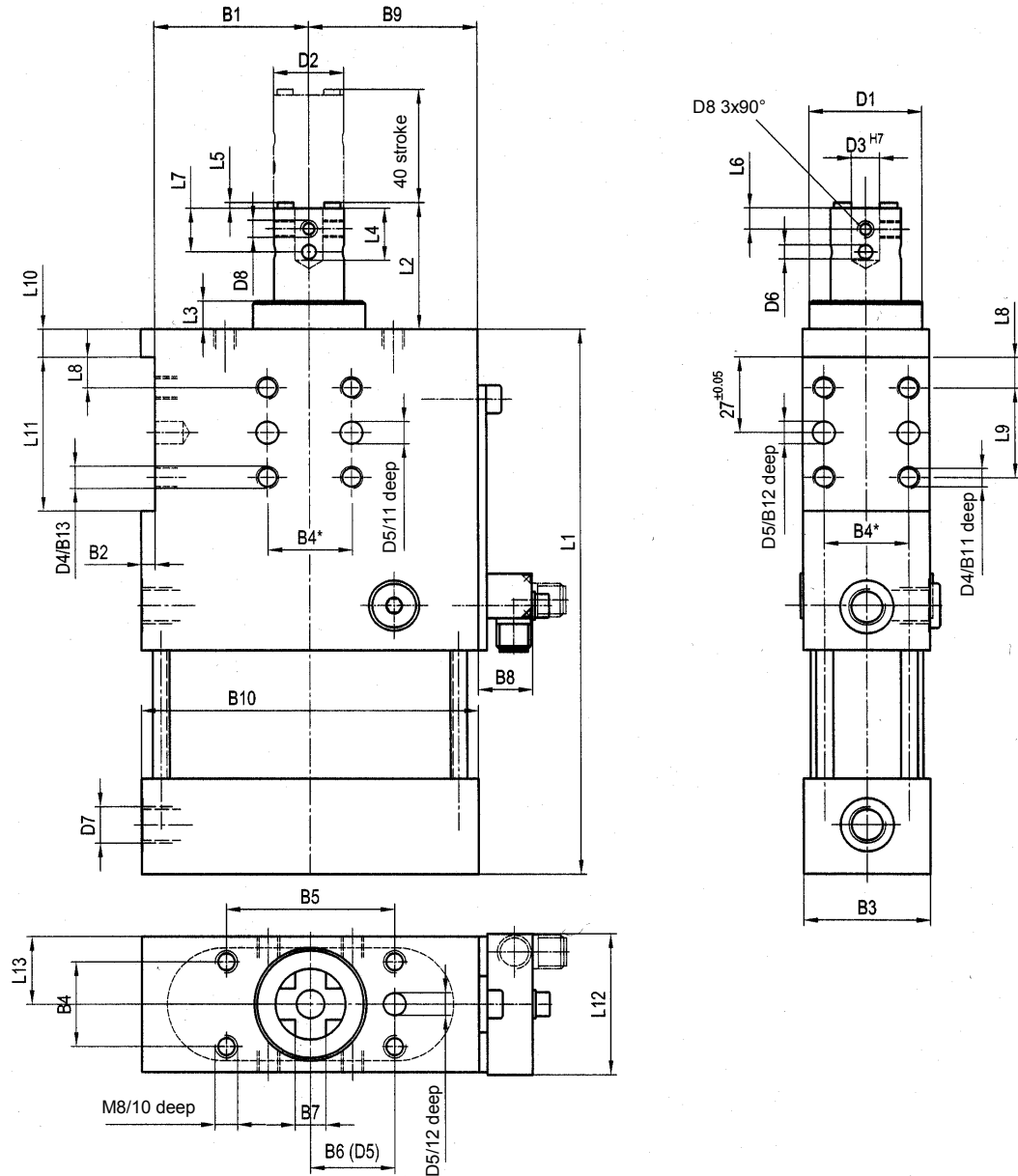


Retractable Locating Pin

anti rotating function, 40 mm stroke

SZK... BR3 B



Ordering example for special stroke:

SZK 40 BR3 B x 25

SZK 40 BR3 B: Type
 25: Special stroke (15 < 40 mm)
 T12: Sensing system

*Tolerance for dowel holes ± 0.02 , for threaded holes ± 0.1 .

Medium: Air, max. 6 bar, operation permitted with oil-free air.

Ordering example Tünkens sensing system:

...T12 Inductive sensor 24 V, 1 output with integrated LED's

Attention!

External throttle check valves must be provided on assembly. They are not included in the scope of delivery!

Type	Stroke	Stat. side force max (N)	Corresp. piston Ø (mm)	Tensile force at 5 bar (N)	Pressing force at 5 bar (N)	Weight ~ (kg)
SZK 40 BR3 B	40	150 N	40	350	600	1.8
SZK 63 BR3 B	40	200 N	63	1400	1500	2.4

Type	B1 ± 0.1	B2	B3	B4*	B5 ± 0.2	B6 ± 0.02	B7 ± 0.1 ± 0.05	B8	B9	B10	B11	B12	B13	D1 f_7	D2 f_7	D3 H_7	D4	D5 H_7
SZK 40 BR3 B	32.5	5	45	30	60	30	11	21	37.5	75	8	10	9	40	25	10	M8	8
SZK 63 BR3 B	55	5	45	30	60	30	11	21	60	120	10	12	11	40	25	10	M8	8

Type	D6	D7	D8	L1	L2	L3	L4	L5	L6	L7	L8	L9 ± 0.1	L10 ± 0.1	L11	L12 ± 0.1	L13
SZK 40 BR3 B	5	G1/8	M6	195	45	10	18.5	2	7.5	15.5	11	32	10	55	47	22.5
SZK 63 BR3 B	5	G1/4	M6	195	45	10	18.5	2	7.5	15.5	11	32	10	55	47	22.5