

Spare Parts

Pos.	Part-no.	Quantity	Description	Type	Flag ¹
10	265978	1.00	housing	SZK 40 BR3	
20	206909	1.00	cylinder bottom	SZK 40	
30	206942	1.00	cylinder pipe	SZK 40	
40	395644	1.00	piston rod complete	SZK 40/63 T12 BR3	
	395648	1.00	piston rod, version B complete	SZK 40/63 B T12 BR3	
60	265911	1.00	guide bush	SZK 40/63 BR3	R
70	265935	1.00	guide bush	SZK 40/63 BR3	R
80	201789	2.00	o-ring	48.00 x 1,50	RD
120	200190	4.00	hex. socket head cap screw	M 6 x 85 DIN 912	
130	200976	4.00	securing spring washer	S 6	
180	212064	1.00	cylinder seal Y3 (oval)	56x26x49x19x12	RD
190	212594	1.00	rod seal PR	Ø 25/Ø 34,0 x 2,8	RD
200	248229	1.00	scraper	SZK.1 40/63	RD
220	201670	1.00	o-ring	12,00 x 2,00	RD
310	200537	1.00	set screw	M 5 x 12 DIN 913	
320	200698	1.00	hexagon nut	M 5 DIN 439	
330	201497	1.00	screw plug	G 1/8	
340	201625	1.00	joint ring	A 10 x 14,0 x 1,5	

spare parts sets / accessories

Pos.	Part-no.	Quantity	Description	Type	
	280519	1.00	repair kit	SZK 40/SZK 40.1 BR3	
	283593	1.00	seal kit	SZK 40/SZK 63 BR3	
260	226743	1.00	limit switch set complete	SZK 40/63	

¹ R = included with repair kit, D = included with seal kit

Spare Parts

Pos.	Part-no.	Quantity	Description	Type	Flag ¹
10	265979	1.00	housing	SZK 63 BR3	
20	206911	1.00	cylinder bottom	SZK 63	
30	206946	1.00	cylinder pipe	SZK 63	
40	395839	1.00	piston rod complete	SZK 40/63 T12 BR3	
	395840	1.00	piston rod, version B complete	SZK 40/63 B T12 BR3	
60	265911	1.00	guide bush	SZK 40/63 BR3	R
70	265935	1.00	guide bush	SZK 40/63 BR3	R
80	201858	2.00	o-ring	76.00 x 2,00	RD
120	200190	4.00	hex. socket head cap screw	M 6 x 85 DIN 912	
130	200976	4.00	securing spring washer	S 6	
180	212061	1.00	cylinder seal Y3 (oval)	94x32x87x25x12	RD
190	212594	1.00	rod seal PR	Ø 25/Ø 34,0 x 2,8	RD
200	248229	1.00	scraper	SZK.1 40/63	RD
220	201670	1.00	o-ring	12,00 x 2,00	RD
310	200538	1.00	set screw	M 5 x 35 DIN 913	
320	200698	1.00	hexagon nut	M 5 DIN 439	
330	201496	1.00	screw plug	G 1/4	
340	201628	1.00	joint ring	A 14 x 18,0 x 1,5	

spare parts sets / accessories

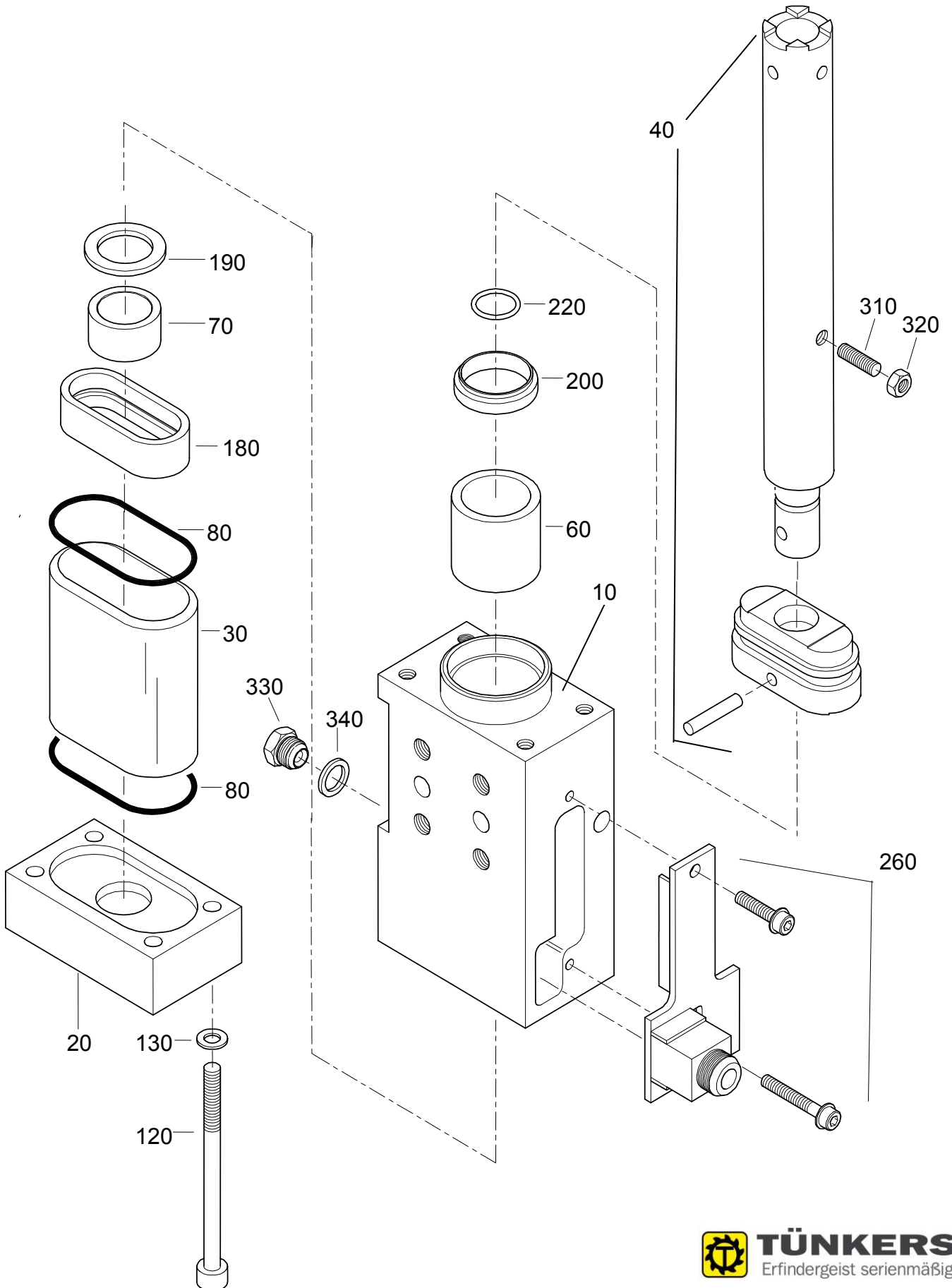
Pos.	Part-no.	Quantity	Description	Type	
	280521	1.00	repair kit	SZK 63/SZK 63.1 BR3	
	289288	1.00	seal kit	SZK 63.1	
260	226743	1.00	limit switch set complete	SZK 40/63 T12	

¹ R = included with repair kit, D = included with seal kit

Retractable Locating Pin

Spare Parts Drawing

SZK 40, 63, B, BR3



Subject to technical modifications.

15.03.2017