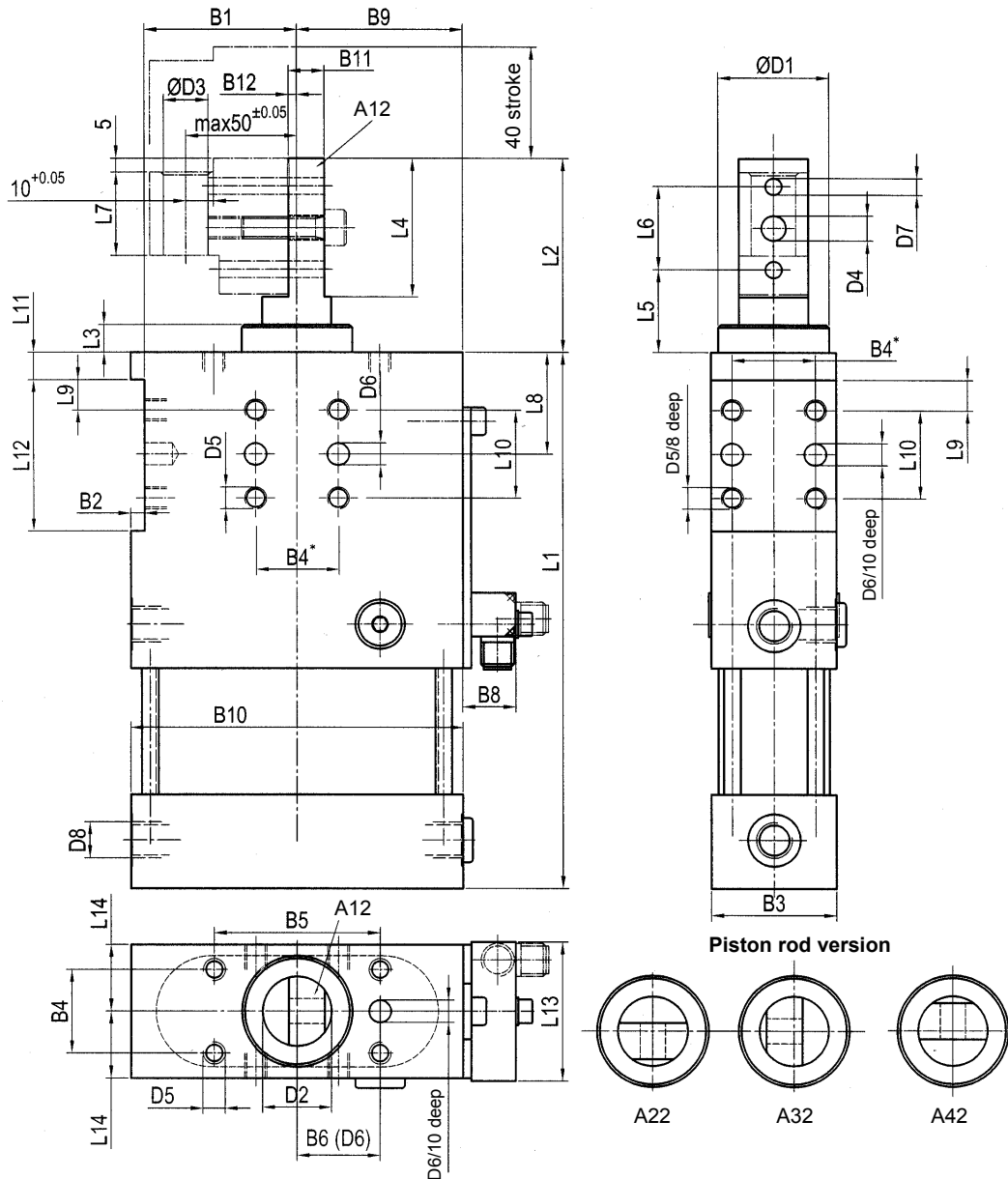


Retractable Locating Pin

for off set centering pins, anti-rotating function

SZK... BR3 A.2



Ordering example for special stroke:

SZK 40 BR3 A12 T12 x 25

SZK 40 BR3: Type
 A12: Piston rod version
 T12: Sensing system
 25: Special stroke (15 < 40 mm)

*Tolerance for dowel holes ± 0.02 , for threaded holes ± 0.1 .

Medium: Air, max. 6 bar, operation permitted with oil-free air.

Attention!

External throttle check valves must be provided on assembly. They are not included in the scope of delivery!

Ordering example Tünkers sensing system:

...T12 Inductive sensor 24V, 1 output with integrated LED's

Type	Stroke	Stat. shear force max (N)	Corresp. piston Ø (mm)	Tensile force at 5 bar (N)	Pressing force at 5 bar (N)	Weight ~ (kg)
SZK 40 BR3	40	150 N	40	350	600	1.8
SZK 63 BR3	40	200 N	63	1400	1500	2.4

Type	B1 ± 0.02	B2	B3	B4*	B5 ± 0.2	B6 ± 0.02	B8	B9	B10	B11	B12 ± 0.05	D1 f_7	D2 f_7	D3 H7	D4	D5	D6 H7	D7 H7
SZK 40 BR3	32.5	5	45	30	60	30	21	37.5	75	13	3	40	25	16	9	M8	8	6
SZK 63 BR3	55	5	45	30	60	30	21	60	120	13	3	40	25	16	9	M8	8	6

Type	D8	L1	L2	L3	L4	L5	L6 ± 0.02	L7	L8 ± 0.05	L9 ± 0.1	L10 ± 0.1	L11	L12 ± 0.1	L13	L14 ± 0.02
SZK 40 BR3	G1/8	195	70	10	50	30	30	30	37	11	32	10	55	47	22.5
SZK 63 BR3	G1/4	195	70	10	50	30	30	30	37	11	32	10	55	47	22.5