

## Spare Parts

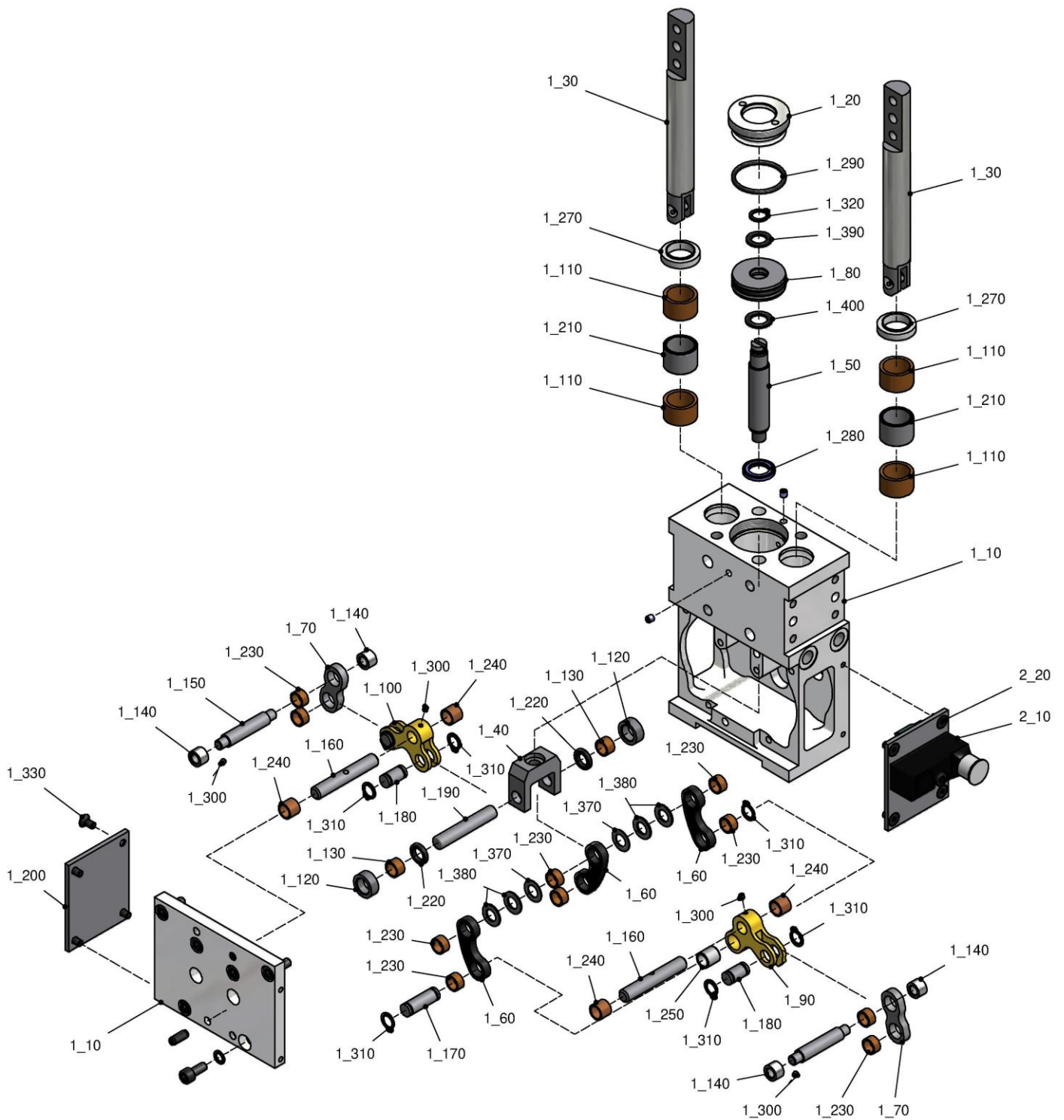
Pos.	Part no.	Quantity	Description	Type	Flag <sup>1</sup>
1_10	358221	1.00	housing complete	SZVD 32	
1_20	277994	1.00	cylinder lid	SZVD 32	
1_30	369898	2.00	push rod	SZVD 32 A18-A28	
	281198	2.00	push rod	SZVD 32 A13-A23	
1_40	281230	1.00	fork	SZVD 32	
1_50	281205	1.00	piston rod	SZVD 32	
1_60	281227	3.00	strap	SZVD 32	R
1_70	281200	2.00	strap	SZVD 32	R
1_80	245101	1.00	piston complete	PKS 32 NM with o-ring	RD
1_90	281234	1.00	angle lever	SZVD 32	
1_100	281241	1.00	angle lever	SZVD 32	
1_110	253591	4.00	guide bush	D20-D16x12	R
1_120	205234	2.00	bush	SZVD 32, D6-D10x6,50	R
1_130	226853	2.00	bush	D8x10x6	R
1_140	205234	4.00	roller	PKS 20	R
1_150	286105	2.00	bolt	SZVD 32 with pin D8x50	R
1_160	286104	2.00	bolt	SZVD 32 D8x50	R
1_170	202606	1.00	bolt	PKS 32 U D8x25	
1_180	286228	3.00	bolt	SZVD 32 D8x15	R
1_190	286235	1.00	bolt	SZVD 32 D8x46	R
1_200	286236	1.00	cover sheet	SZVD 32	
1_210	286232	2.00	distance bush	SZVD 32	
1_220	286100	2.00	distance ring	SZVD 32	
1_230	223294	10.00	bush	D8x10x5	R
1_240	201578	4.00	bush	D8x10x8	R
1_250	209733	1.00	bush	D8x10x10	R
1_270	212528	2.00	scraper	D16x 23,0x 6	RD
1_280	219662	1.00	rod seal	D12xD19x2,3 PR	RD
1_290	201729	1.00	o-ring	D28x2	RD
1_300	200574	2.00	set screw	M 3x4 DIN 914	R
1_310	201292	8.00	securing ring	A8x0,8 DIN 471	R
1_320	211563	1.00	securing ring	A9x1 DIN 471	
1_330	200480	4.00	flat head screws	M4x8 DIN 7991	
1_370	200877	2.00	shim rings	8x14x0,5 DIN 988	
1_380	200878	4.00	shim rings	8x14x1 DIN 988	
1_390	200884	1.00	shim rings	PS 9x15x1 DIN 988	
1_400	200888	1.00	shim rings	10x16x1 DIN 988	
2_20	200480	4.00	flat head screws	M4x8 DIN 7991	

### spare parts sets / accessories

Pos.	Part no.	Quantity	Description	Type	
	354086	1.00	repair kit	SZVD 32	
	354087	1.00	seal kit	SZVD 32	
2_10	1330568	1.00	limit switch set complete Tünkers	SZVD 32 T12	
	351746	1.00	limit switch set complete P+F	SZVD 32 T12	

<sup>1</sup> R = included with repair kit, D = included with seal kit





Subject to technical modifications.

26.09.2019