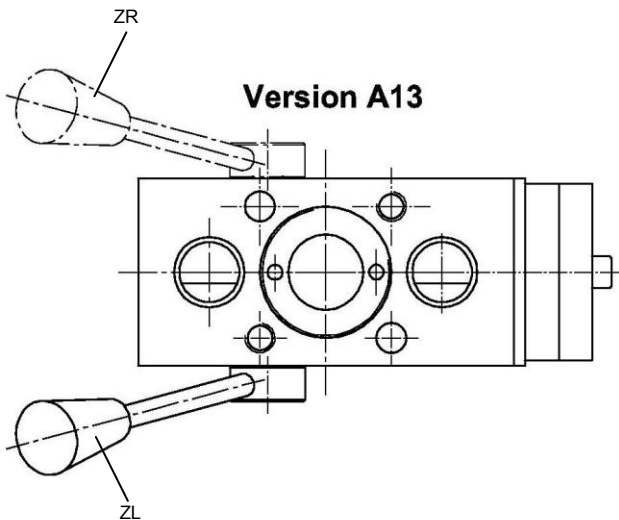
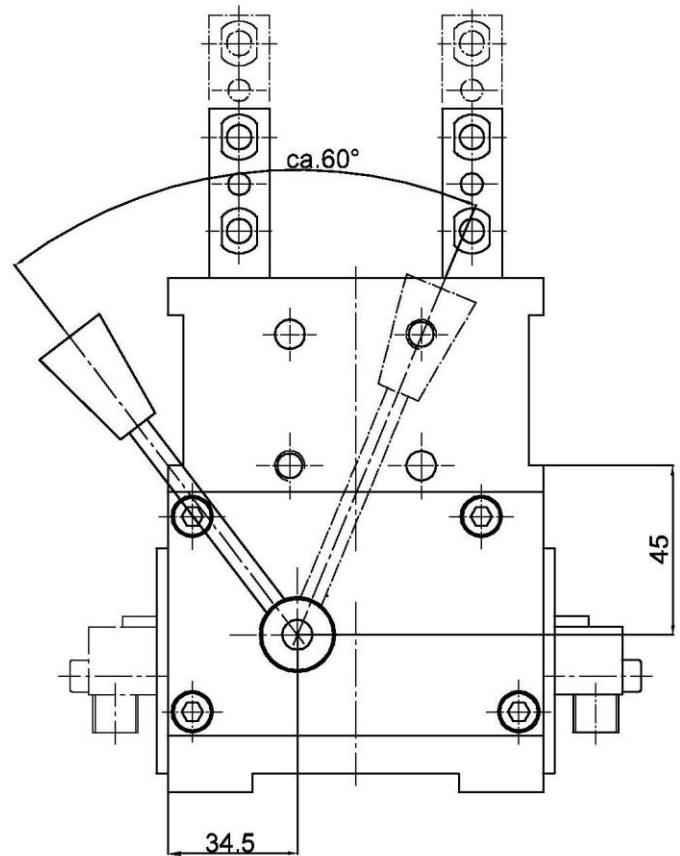
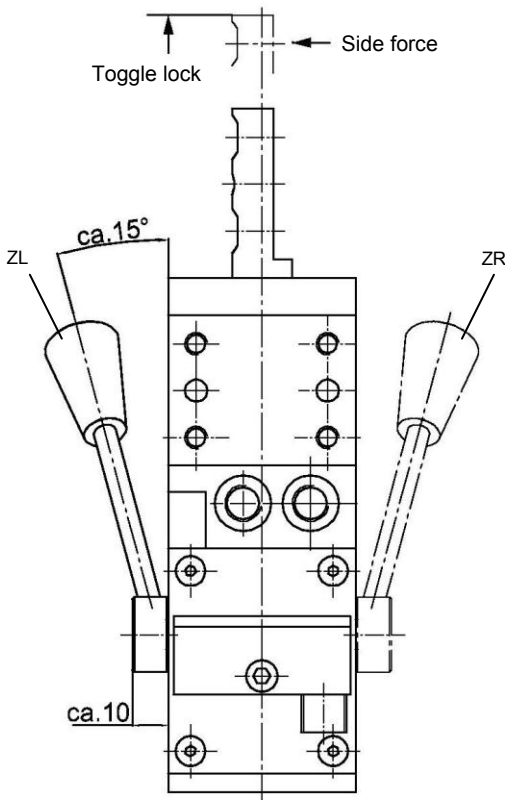


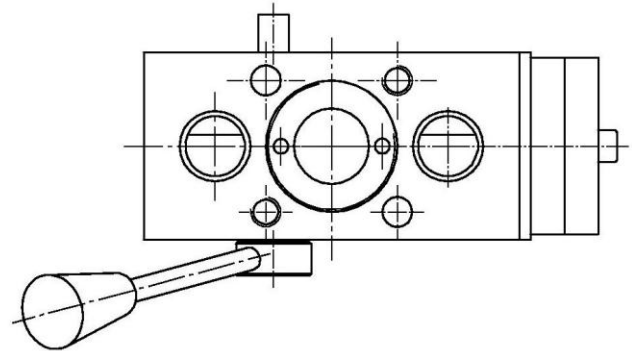
Linear unit

with hand lever, double guide rods with toggle lock,
for off-set pins and contour pieces

SZVD 32 ZL/ZR



Version A13



Version A23

Ordering example:

SZVD 32 ZL A13 T12

SZVD 32: Type
ZL: Hand lever left
(„ZR“ = right)
A13: Adapter position
T12: Sensing system

Order number hand lever complete:

Hand lever complete left = 361543
Hand lever complete right = 361544

Weight: 2.2 kg

For further technical information see
data sheet „SZVD 32“.

Attention!

External throttle check valves must be
provided on assembly. They are not
included in the scope of delivery!

A 5/3 way valve is required, central position
de-aerated.

Ordering example Tünkers sensing systems:

...T00 Without sensing
...T12 Inductive Sensor 24 V, 1 output
with integrated LED's