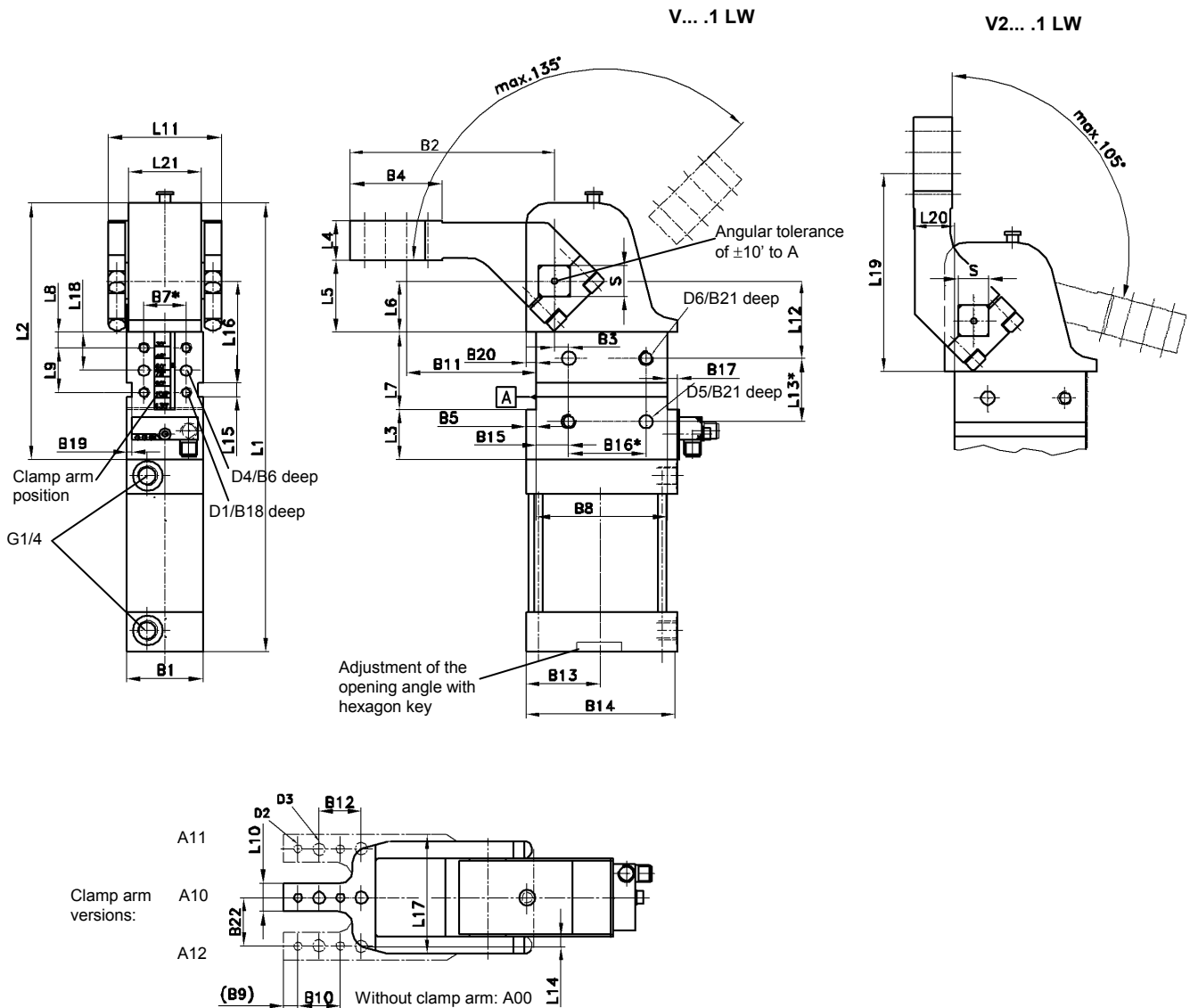


# Vario Clamp

Lightweight design, stepless adjustable opening angle

# V/V2... .1 LW

## 5 – 135°



### Ordering example:

V 50.1 LW A10 T12

V 50.1 LW:

Type  
A10: Clamp arm version  
T12: Sensing system

### Opening angle:

Stepless adjustable in the range from 5°-135° (Type V... .1...).

Tolerance for dowel holes ± 0.02, for threaded holes ± 0.1.  
Medium: Air, max. 6 bar, operation permitted with oil-free air.

### Ordering example Tünkers sensing systems:

... T12 Inductive sensor 24 V, 1 output with integrated LED's  
... T08T (T08) See separate data sheet

### Attention!

External throttle check valves must be provided on assembly. They are not included in the scope of delivery!

| Type         | Holding torque max. | Clamping moment at 5 bar | Corresponds to piston Ø (mm) | Weight ~ (kg) | B1 | B2  | B3 ±0.05 | B4 | B5  | B6 | B7* | B8* | B9 | B10 ±0.02 |
|--------------|---------------------|--------------------------|------------------------------|---------------|----|-----|----------|----|-----|----|-----|-----|----|-----------|
| V/V2 50.1 LW | 800 Nm              | 160 Nm                   | 50                           | 3.0           | 45 | 144 | 10       | 65 | 6.5 | 10 | 30  | 93  | 9  | 30        |
| V/V2 63.1 LW | 1500 Nm             | 380 Nm                   | 63                           | 4.0           | 52 | 144 | 10       | 65 | 7.5 | 10 | 30  | 93  | 9  | 30        |

| Type         | B11 ±0.1 | B12 ±0.2 | B13 | B14 | B15 ±0.1 | B16* ±0.1 | B17 | B18 | B19 | B20  | B21 | B22 ±0.1 | D1 | D2 H7 | D3 | D4 H7 | D5 H7 | D6  | L1  | L2  | L3 |
|--------------|----------|----------|-----|-----|----------|-----------|-----|-----|-----|------|-----|----------|----|-------|----|-------|-------|-----|-----|-----|----|
| V/V2 50.1 LW | 92       | 30       | 47  | 94  | 23       | 50        | 4.5 | 11  | 3.5 | 10.5 | 12  | 34       | M8 | 6     | 9  | 8     | 10    | M10 | 321 | 178 | 35 |
| V/V2 63.1 LW | 92       | 30       | 54  | 106 | 23       | 50        | 7.5 | 11  | 3.5 | 12   | 12  | 37       | M8 | 6     | 9  | 8     | 10    | M10 | 335 | 185 | 35 |

| Type         | L4 ±0.1 | L5 ±0.2 | L6 ±0.05 | L7 +0.1 | L8 ±0.1 | L9 ±0.1 | L10 | L11 | L12 ±0.05 | L13* | L14 ±0.1 | L15 N9 | L16 ±0.05 | L17 | L18 ±0.05 | L19 ±0.1 | L20 ±0.2 | L21 | S h9 |
|--------------|---------|---------|----------|---------|---------|---------|-----|-----|-----------|------|----------|--------|-----------|-----|-----------|----------|----------|-----|------|
| V/V2 50.1 LW | 28      | 51.5    | 36.5     | 55      | 11      | 32      | 20  | 68  | 55        | 45   | 10       | 12     | 71.5      | 78  | 27        | 141.5    | 30       | 45  | 19   |
| V/V2 63.1 LW | 28      | 51.5    | 36.5     | 55      | 11      | 32      | 20  | 78  | 55        | 45   | 10       | 12     | 71.5      | 86  | 27        | 141.5    | 30       | 52  | 22   |