

Spare Parts Clamp

Pos.	Part no.	Quantity	Description	Type	Flag ¹
1_30		1	drive shaft	K 50 A10	R
1_50		1	rod seal	Ø 16/Ø 25.0 x 2.8	RD
1_50		1	scraper	16/24.0x 7.80/5.0	RD
1_100		1	o-ring	10.0 x 2.00	RD
1_140		1	bolt	FKSI 50	R
1_150		1	bolt	FKSI 50	R
1_160		2	supporting plate complete	KU 50	R
1_170		1	strap	V 50.1 BR2	R
1_180		2	needle bush	Ø 25.0/32.00 x 12.00	R
1_190		1	cylinder seal	K 50	RD
1_200		1	damper ring	Ø 20.0/28.0 x 4.8	RD
1_210		2	supporting roller complete	FKSI 50	R
1_250		2	o-ring	63.00 x 2.00	RD
1_300		1	parallel pin	4m6 x 14 DIN 6325	R
1_350		1	set screw	M 4 x 6DIN 915	R
1_360		1	dowel pin	3.0 x 24 DIN 1481	R

spare parts sets / accessories

Pos.	Part no.	Quantity	Description	Type	
	386854	1	repair kit	V 50.1 BR2	
	386858	1	seal kit	V 50.1 BR2	
2_0	258957	1	limit switch set complete	V 50.1 T08T	

¹ R = included with repair kit, D = included with seal kit

Clamp arms

Pos.	Part no.	Quantity	Description	for type	
70	216884	1	clamp arm complete	V/V2 50.1 BR2 A10	
	216886	1	clamp arm complete	V 50.1 BR2 A11 V2 50.1 BR2 A12	
	216890	1	clamp arm complete	V 50.1 BR2 A12 V2 50.1 BR2 A11	
	242838	1	clamp arm complete	V 50.1 BR2 A40	
	245811	1	clamp arm complete	V 50.1 BR2 A41 V2 50.1 BR2 A42	
	245812	1	clamp arm complete	V 50.1 BR2 A42 V2 50.1 BR2 A41	
	234563	1	clamp arm complete	V 50.1 BR2 A43	
	234569	1	clamp arm complete	V 50.1 BR2 A44 V2 50.1 BR2 A45	
	234570	1	clamp arm complete	V 50.1 BR2 A45 V2 50.1 BR2 A44	
	216894	1	clamp arm complete	V/V2 50.1 BR2 A90	
	216898	1	clamp arm complete	V 50.1 BR2 A91 V2 50.1 BR2 A92	
	216902	1	clamp arm complete	V 50.1 BR2 A92 V2 50.1 BR2 A91	

Spare Parts Clamp

Pos.	Part no.	Quantity	Description	Type	Flag ¹
1_30		1	drive shaft	KV 63	R
1_50		1	rod seal	Ø 20/Ø 29.0 x 2.8	RD
1_50		1	scraper	20/28.6x 6.5	RD
1_100		1	o-ring	12.00 x 2.00	RD
1_140		1	bolt	FKSI 63	R
1_150		1	bolt	FKSI 63	R
1_160		2	supporting plate complete	KU 50	R
1_170		1	strap	V 63.1 BR2 T08T	R
1_180		2	needle bush	Ø 30.0/37.00 x 12.00	R
1_190		1	cylinder seal	K 63	RD
1_200		1	damper ring	Ø 20.0/28.0 x 4.8	RD
1_210		2	supporting roller complete	FKSI 63	R
1_250		2	o-ring	76.00 x 2.00	RD
1_300		1	parallel pin	4m6 x 18 DIN 6325	R
1_350		1	set screw	M 4 x 6DIN 915	R
1_360		1	dowel pin	3.0 x 28 DIN 1481	R

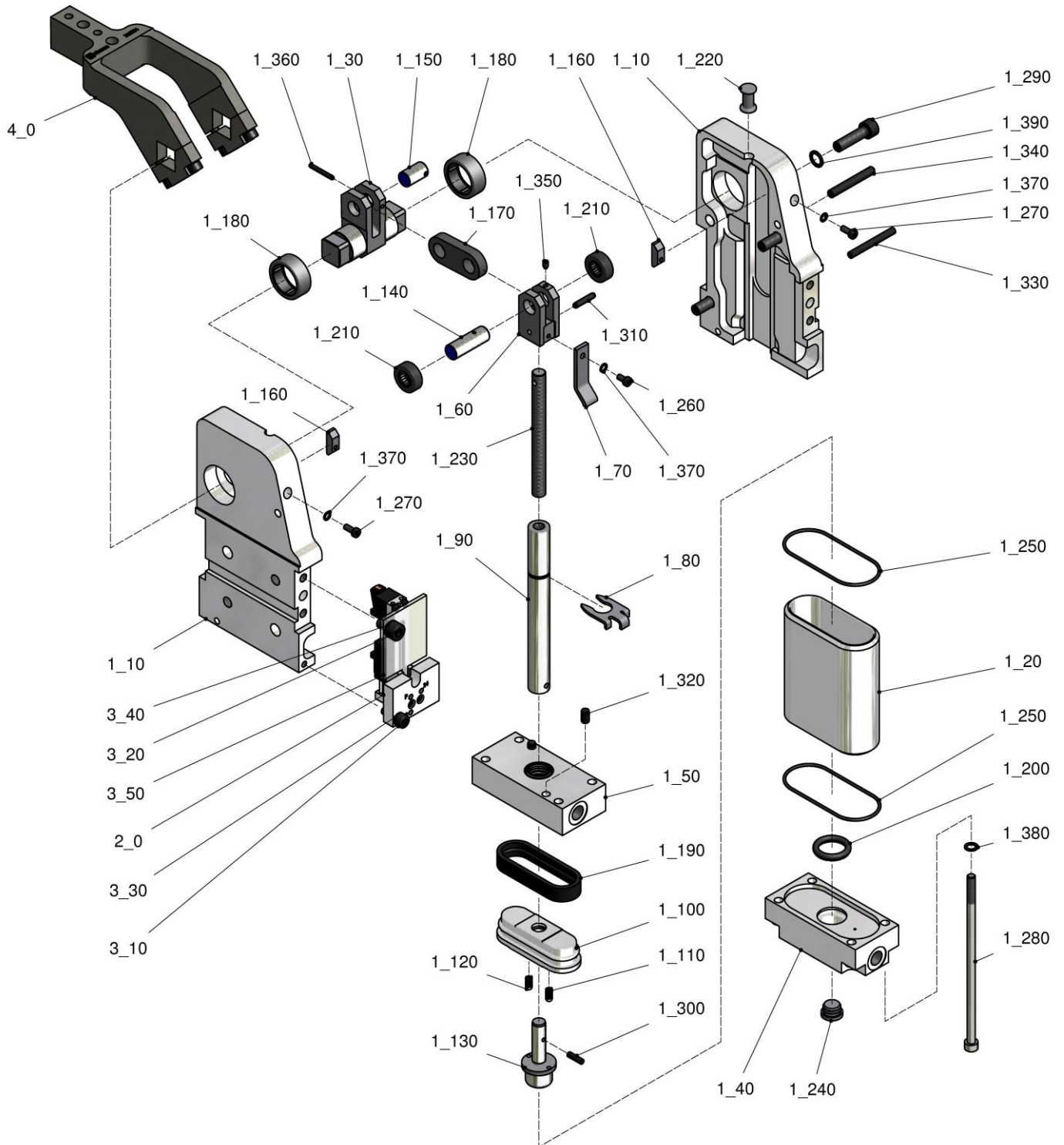
spare parts sets / accessories

Pos.	Part no.	Quantity	Description	Type	
	386860	1	repair kit	V 63.1 BR2	
	386861	1	seal kit	V 63.1 BR2	
2_0	258958	1	limit switch set complete	V 63.1 T08T	

¹ R = included with repair kit, D = included with seal kit

Clamp arms

Pos.	Part no.	Quantity	Description	for type	
70	217498	1	clamp arm complete	V/V2 63.1 BR2 A10	
	217499	1	clamp arm complete	V 63.1 BR2 A11 V2 63.1 BR2 A12	
	217500	1	clamp arm complete	V 63.1 BR2 A12 V2 63.1 BR2 A11	
	242839	1	clamp arm complete	V 63.1 BR2 A40	
	245848	1	clamp arm complete	V 63.1 BR2 A41 V2 63.1 BR2 A42	
	245849	1	clamp arm complete	V 63.1 BR2 A42 V2 63.1 BR2 A41	
	234571	1	clamp arm complete	V 63.1 BR2 A43	
	234572	1	clamp arm complete	V 63.1 BR2 A44 V2 63.1 BR2 A45	
	234573	1	clamp arm complete	V 63.1 BR2 A45 V2 63.1 BR2 A44	
	217501	1	clamp arm complete	V/V2 63.1 BR2 A90	
	217502	1	clamp arm complete	V 63.1 BR2 A91 V2 63.1 BR2 A92	
	217503	1	clamp arm complete	V 63.1 BR2 A92 V2 63.1 BR2 A91	



Subject to technical modifications.

02.01.2020