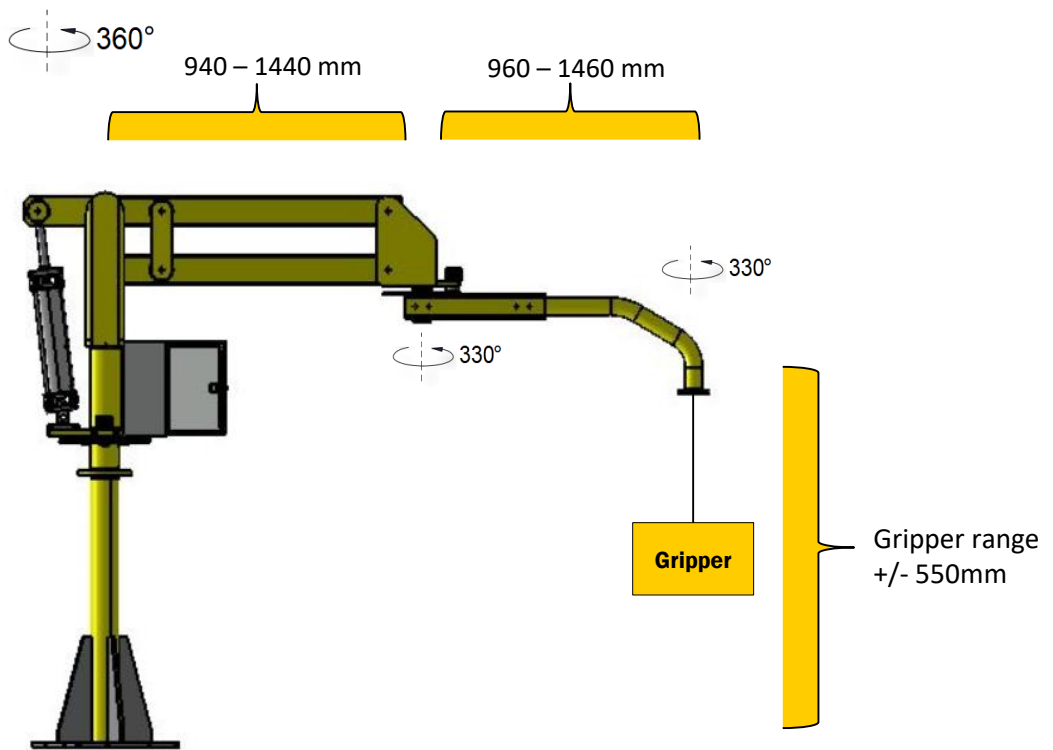


# Model TMC 50/100



# Model TMC50/100



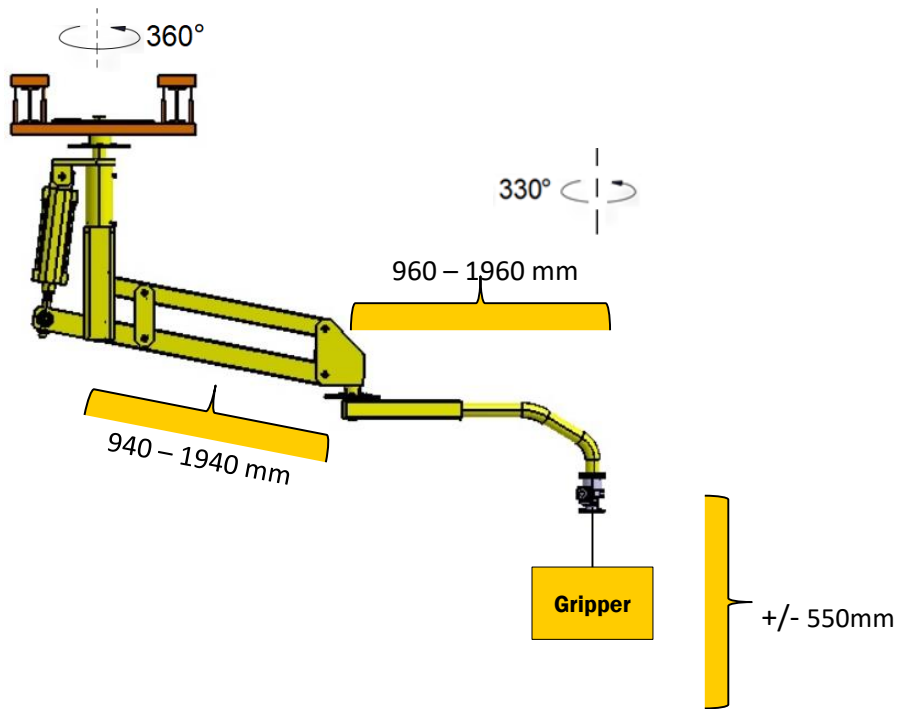
**Load Capacity:** to 100 kg **(WEIGHT = GRIPPER + PRODUCT)**

**Radius of Action of the Manipulator:** until 4.000mm (radius of action as required)

**Working Pressure:** from 6 to 8 bar

WEIGHT MIN/MAX (kg)	RADIUS MIN/MAX (mm)																				
	2000	2100	2200	2300	2400	2500	2600	2700	2800	2900	3000	3100	3200	3300	3400	3500	3600	3700	3800	3900	4000
50																					
60																					
70																					
80																					
90																					
100																					

# Model TMSF50/100



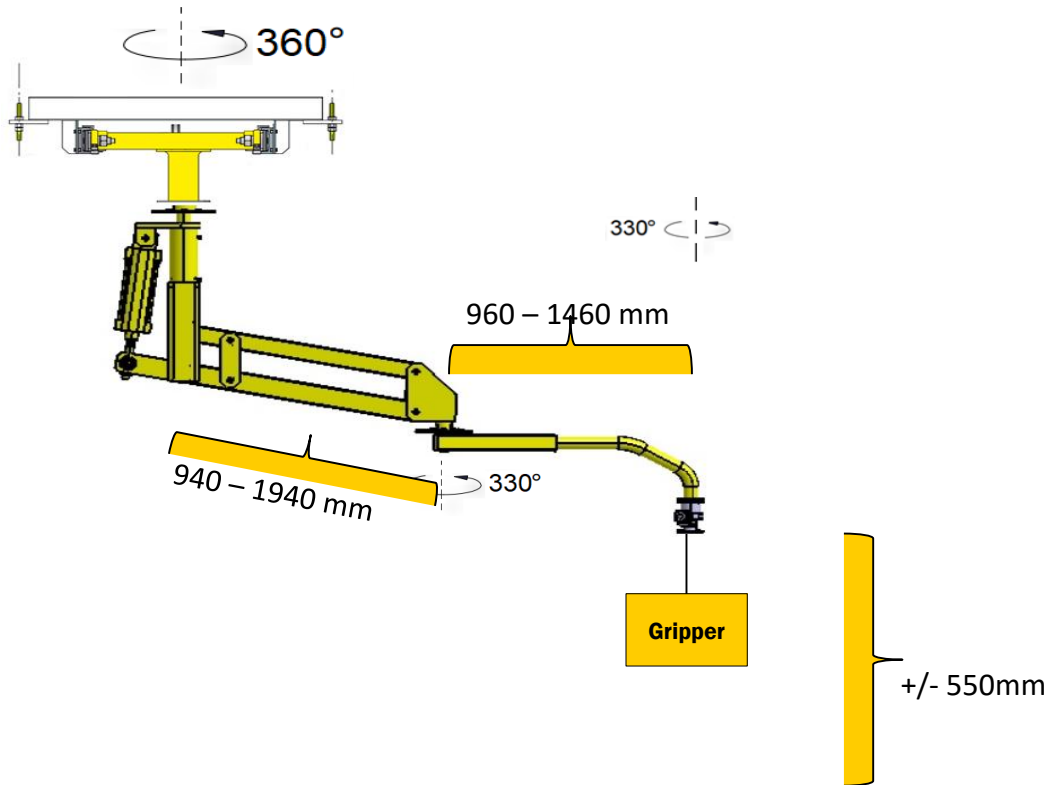
**Load Capacity:** to 100 kg **(WEIGHT = GRIPPER + PRODUCT)**

**Radius of Action of the Manipulator:** to 2.000mm (radius of action as required)

**Working Pressure:** from 6 to 8 bar

WEIGHT MIN/MAX (kg)	RADIUS MIN/MAX (mm)																				
	2000	2100	2200	2300	2400	2500	2600	2700	2800	2900	3000	3100	3200	3300	3400	3500	3600	3700	3800	3900	4000
50	█	█	█	█	█	█	█	█	█	█	█	█	█	█	█	█	█	█	█	█	█
60	█	█	█	█	█	█	█	█	█	█	█	█	█	█	█	█	█	█	█	█	█
70	█	█	█	█	█	█	█	█	█	█	█	█	█	█	█	█	█	█	█	█	█
80	█	█	█	█	█	█	█	█	█	█	█	█	█	█	█	█	█	█	█	█	█
90	█	█	█	█	█	█	█	█	█	█	█	█	█	█	█	█	█	█	█	█	█
100	█	█	█	█	█	█	█	█	█	█	█	█	█	█	█	█	█	█	█	█	█

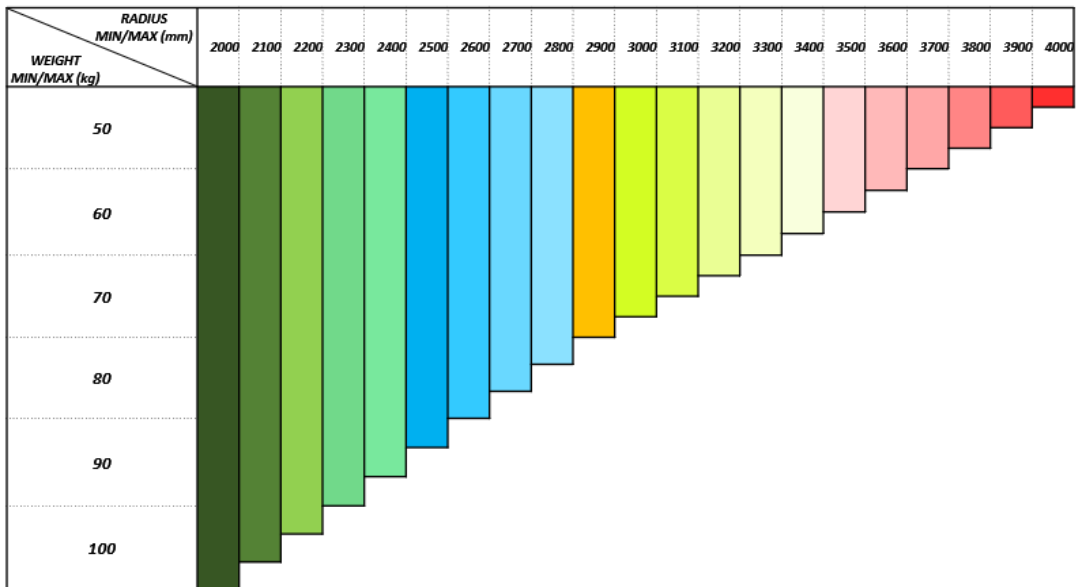
# Model TMSM50/100



**Load Capacity: to 100 kg (WEIGHT = GRIPPER + PRODUCT)**

**Radius of Action of the Manipulator: until 4.000mm (radius of action as required)**

**Working Pressure: from 6 to 8 bar**





Modular Gripper Tool

## Technical Advantages:

- Highly adaptable
- Pneumatic construction made in commercial items
- Cycle counter for for easy maintenance
- Fine adjustments in handling for the operator

## Opcional:

- Pneumatic zero weight;
- Zero servo-pneumatic weight;
- Pneumatic up and down (without zero weight);
- Visual aid system in X / Y / Z;
- 360 ° handle rotation system;
- Protection system against accidental falls;
- Robust but lightweight system that meets ergonomic requirements;
- Modular gripper system (TGT / TOS) or welded gripper;
- Possibility of integration with industry 4.0 in the pneumatic manipulator

Details

