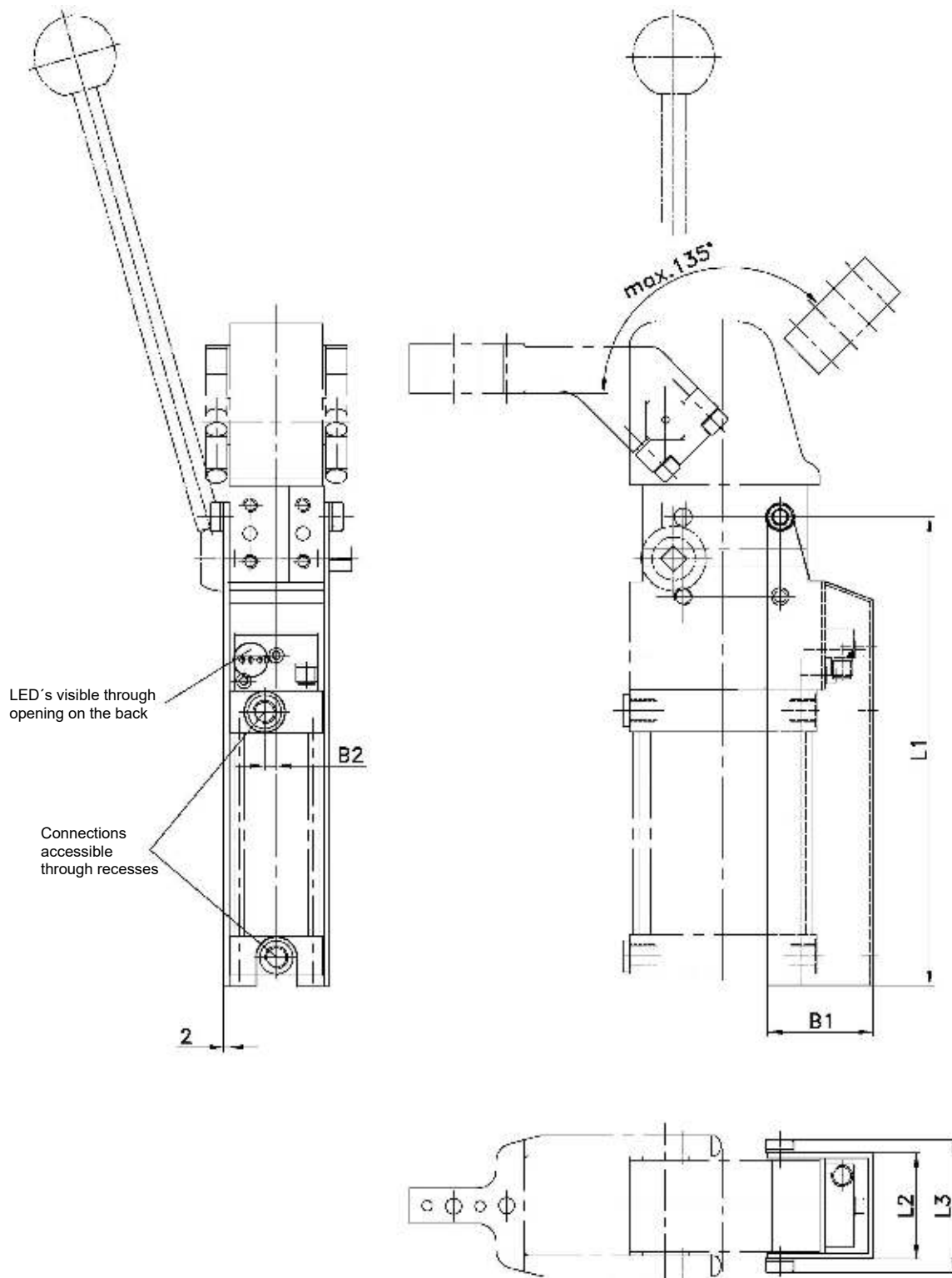


Protective Cap

for Vario Clamps V 50.1 BR2 Z / V 63.1 BR2 Z

AK1.1... BR2 Z T12



Ordering example:

AK1.1 V 50.1 BR2 Z T12

Please refer to data sheet "V... 1 BR2 Z" for more technical information.

AK1.1:

V 50.1 BR2 Z:

T12:

Type
Clamp type
for sensing

*Tolerance for dowel holes ± 0.02 , for threaded holes ± 0.1 .

Medium: Air, max. 6 bar, operation permitted with oil-free air.

Type	B1	B2	L1	L2	L3
AK1.1 V 50.1 BR2 Z T12	~72	6	~216	~52	~66
AK1.1 V 63.1 BR2 Z T12	~75	9	~248	~58	~72