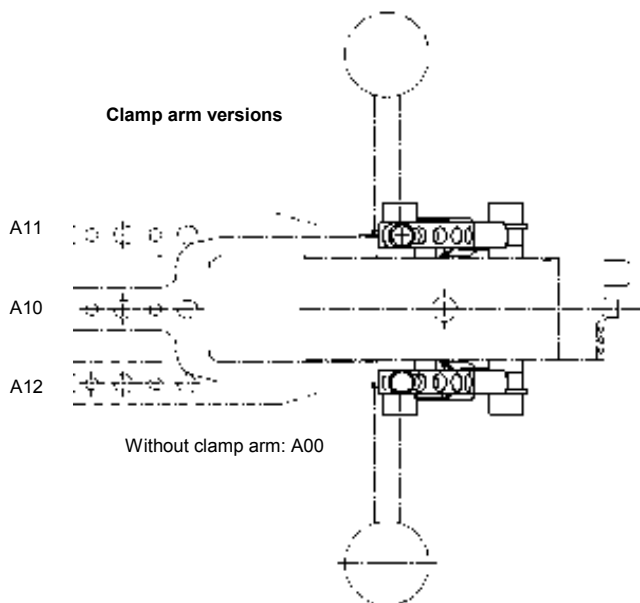
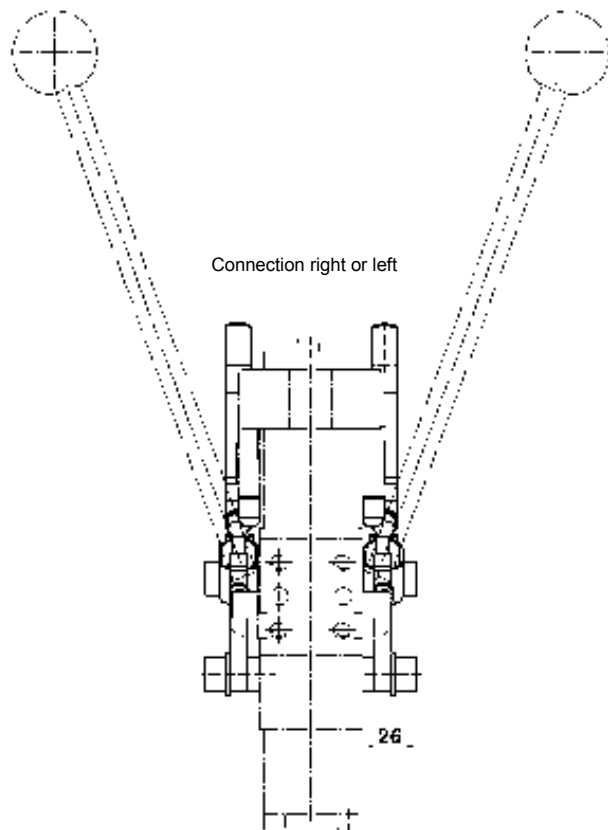
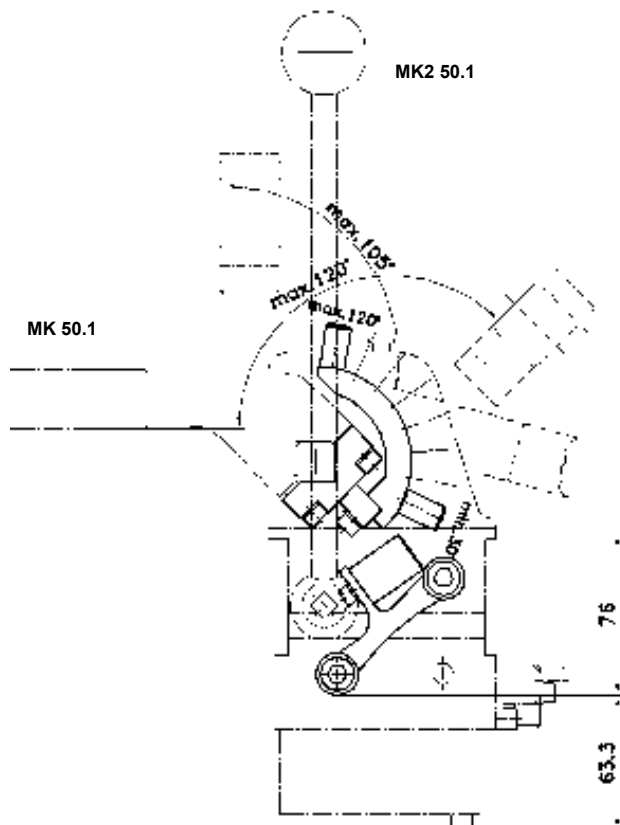


Retaining Clip

for manual clamps MK 50.1/63.1, power clamps K 50/63 and Vario-series

...R



Ordering example for clamp with retaining clip:

MK 50.1: Clamp type
 RR: Retaining clip right
 RL: Retaining clip left

Standard angles for locking position:

30°, 45°, 60°, 75°, 90°, 105°, 120°, 135°

For further technical information see separate data sheets of the according clamps.

Attention!

When the retaining clip is mounted on the right-hand side of the clamp, the gap between the flange and the clamp arm is at the top and not at the bottom, as is usually the case.

Ordering example retaining clip:

Part no. 211244: Type R 50 (for size 50 clamps)
 Part no. 216693: Type R 63 (for size 63 clamps)