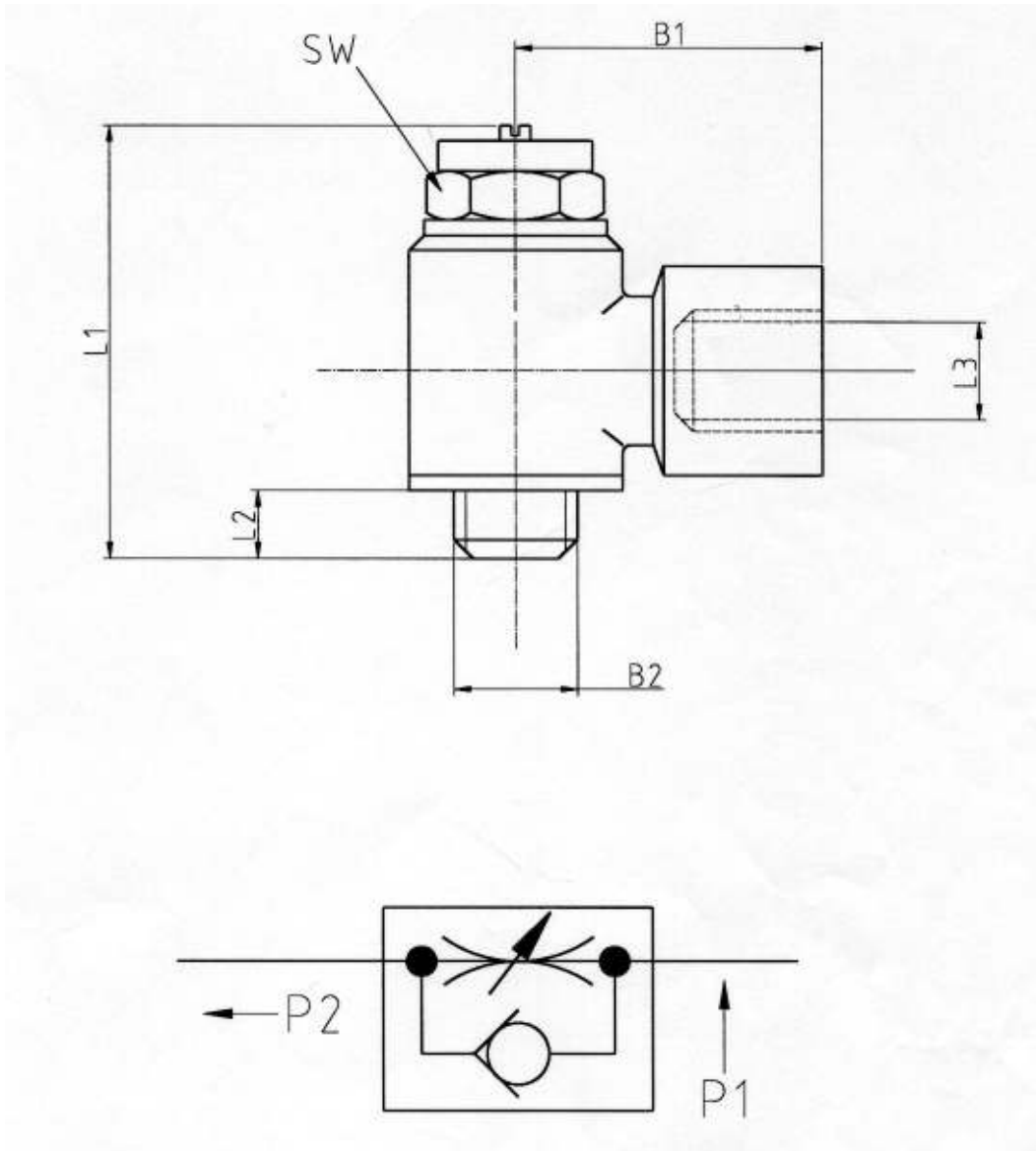


Flow-Control Valve

for exit air control, with female coupling
suitable for all pneumatic clamps

VD...



Type	B1	B2	L1	L2	L3	SW
VD 1/8	20	1/8	36	4,5	1/8	14
VD 1/4	27,6	1/4	38	6,5	1/4	17

Ordering example

VD 1/8
 |
 Type | Connection

Connections for the drive modules of Vario clamps V 50-80 =VD¼