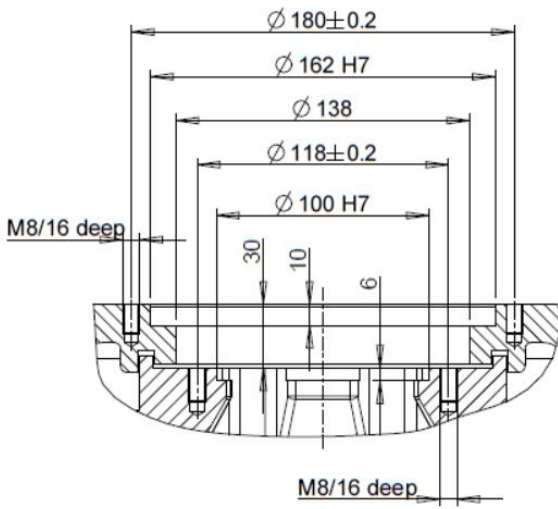
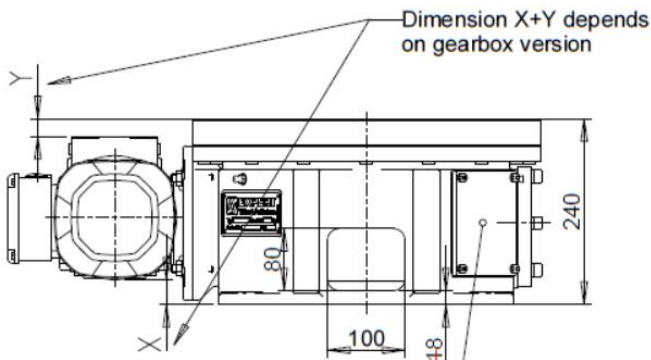
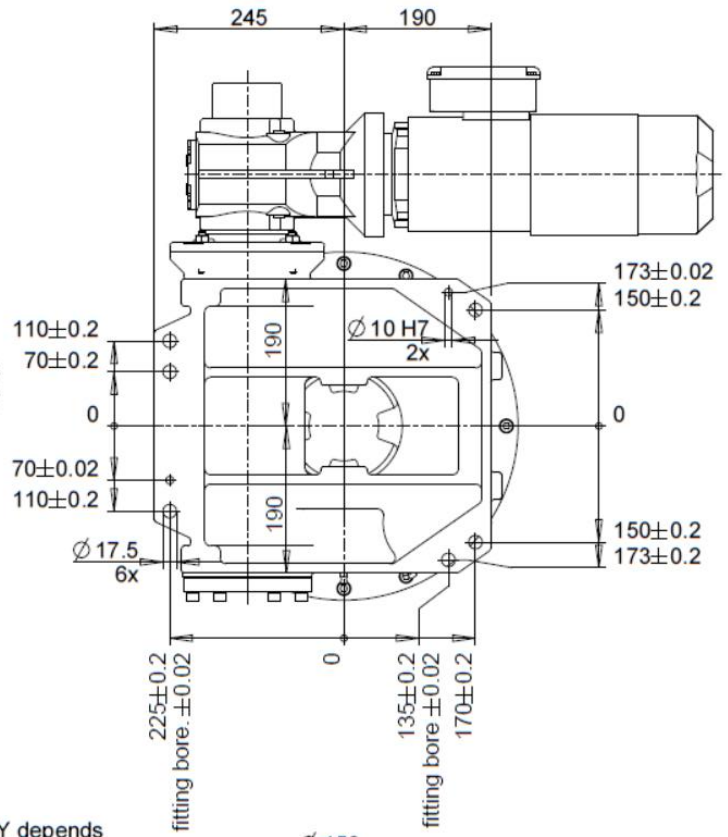


# Data sheet – Turntable – EDH+700

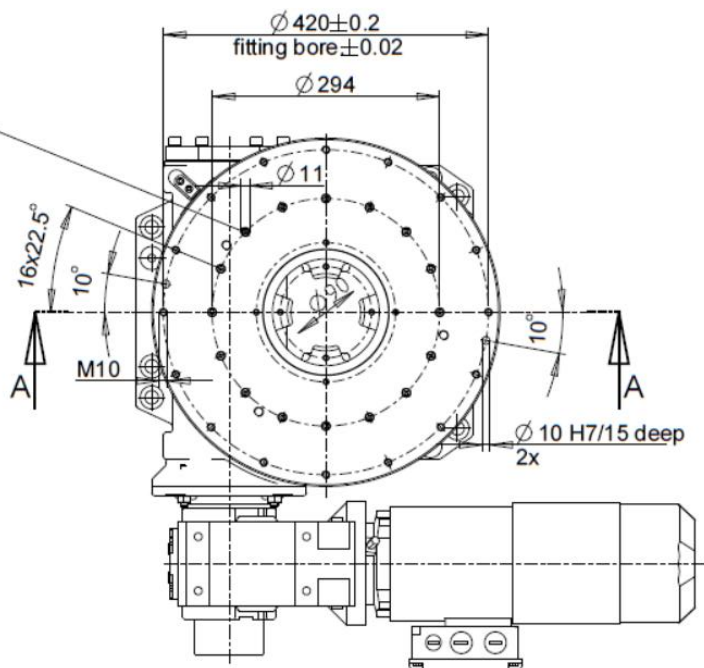
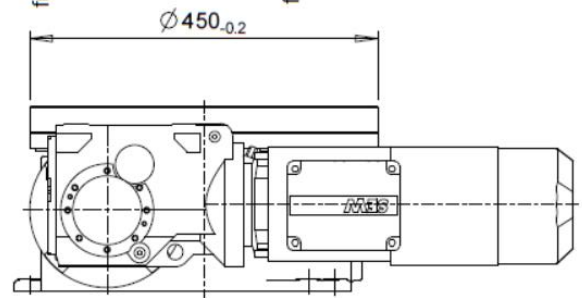
Indexing Table for vertical and horizontal applications.



Cut A-A



**Attention!!**  
Cam-follower fastenings  
and mounting opening  
must be freely accessible



# Data sheet – Turntable – EDH+700

Indexing Table for vertical and horizontal applications.



## Technical Data of the EDH+700

### DIMENSIONS

Type	EDH+700	
Height	240	mm
Dialplate Diameter	450	mm
Middle passage	90	mm
Recommended outer diameter $\varnothing$	3000	mm
Weight	210	kg
Oil quantity CLP 460	1,5	l

### LOADS ON DIALPLATE\*

static Tilt moment $M_{\text{tilt}}$	5000	Nm
static Axial Force $F_{\text{axial}}$	60000	N
static Radial Force $F_{\text{radial}}$	28000	N
dynamic Output Torque $M_{\text{output}}$	2400	Nm

\*Combined loads only after verification by EXPERT-TÜNKERS

## Further products of the EXPERT-EDH series:

Type	Load capacity [kg]	$M_{\text{output}}$ [Nm]
EDH+610	2200	1500
EDH+700	6000	2400
EDH+810	8000	6400
EDH+960	10000	11000
EDH+1170	13000	20000

### Accessories:

- [ETSR rotary distributor](#)
- Frequency inverters and motors  
| Standard SEW  
| *optional other manufacturers*  
| *Motor adaptations/ couplings*
- Cable protectors
- External switches for position and overtravel
- Referencing pegs
- Pegs for maintenance
- Precision Locks
- Tool carriers
- Foundation or levelling plates
- Platforms and elevations

[Other accessories](#) and versions on request

### Standard:

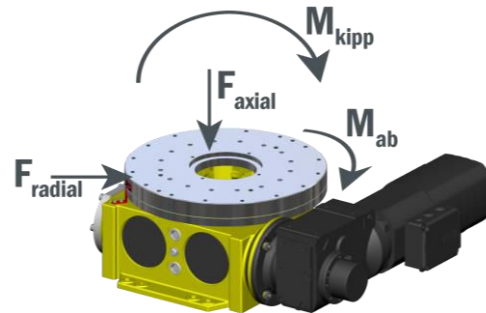
#### Colours:

- solid parts: 7035 RAL (light grey)
- moving parts: 2003 RAL (Pastel orange)

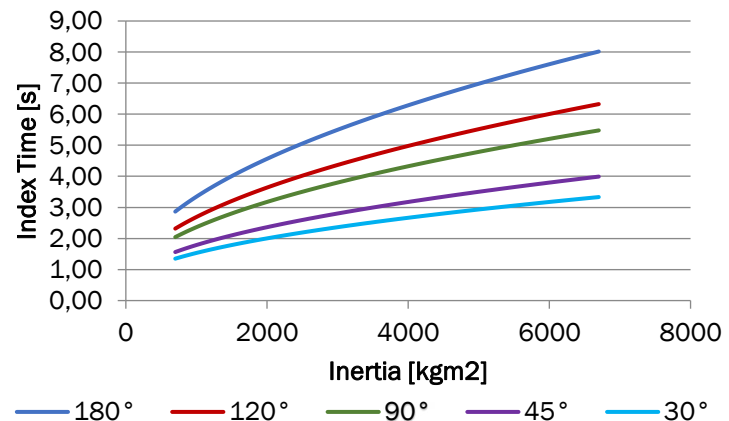
Drive: SEW Bevel gear and servo geared motor

### Specifications:

- Accuracy 74"
  - Repeatability 37"
- | without control, purely mechanical



## Performance EDH+700



### Product details:

[www.expert-tuenkers.de/products](http://www.expert-tuenkers.de/products)

Contact

[www.expert-tuenkers.de](http://www.expert-tuenkers.de) > Sales

For further information and project inquiries please contact us at [sales@expert-tuenkers.de](mailto:sales@expert-tuenkers.de)

\*Index times were determined for standard configurations, Deviation possible.