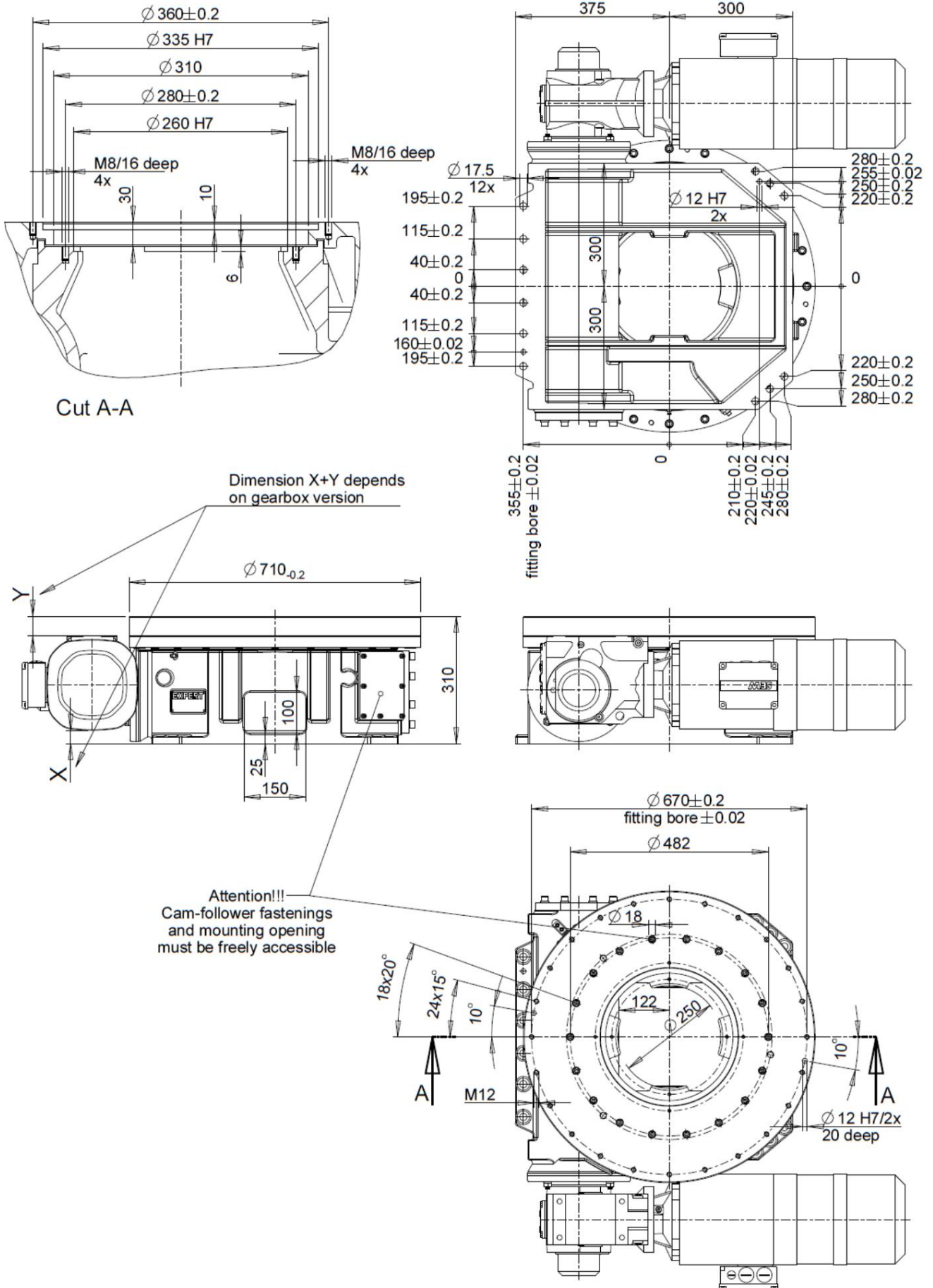


Data sheet – Turntable – EDH+960

Indexing Table for vertical and horizontal applications.



Data sheet – Turntable – EDH+960

Indexing Table for vertical and horizontal applications.

Technical Data of the EDH+960

DIMENSIONS

Type	EDH+960	
Height	310	mm
Dialplate Diameter	710	mm
Middle passage	250	mm
Recommended outer diameter \varnothing	4500	mm
Weight	500	kg
Oil quantity CLP 460	4	l

LOADS ON DIALPLATE*

static Tilt moment M_{tilt}	13000	Nm
static Axial Force F_{axial}	100000	N
static Radial Force F_{radial}	43000	N
dynamic Output Torque M_{output}	11000	Nm

*Combined loads only after verification by EXPERT-TÜNKERS

Further products of the EXPERT-EDH series:

Type	Load capacity [kg]	M_{output} [Nm]
EDH+610	2200	1500
EDH+700	6000	2400
EDH+810	8000	6400
EDH+960	10000	11000
EDH+1170	13000	20000

Accessories:

- [ETSR rotary distributor](#)
- Frequency inverters and motors
| Standard SEW
| *optional other manufacturers*
| *Motor adaptations/ couplings*
- Cable protectors
- External switches for position and overtravel
- Referencing pegs
- Pegs for maintenance
- Precision Locks
- Tool carriers
- Foundation or levelling plates
- Platforms and elevations

[Other accessories](#) and versions on request

Standard:

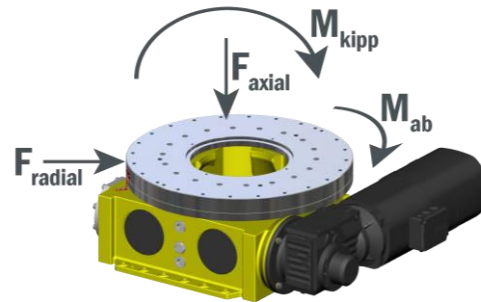
Colours:

- solid parts: 7035 RAL (light grey)
- moving parts: 2003 RAL (Pastel orange)

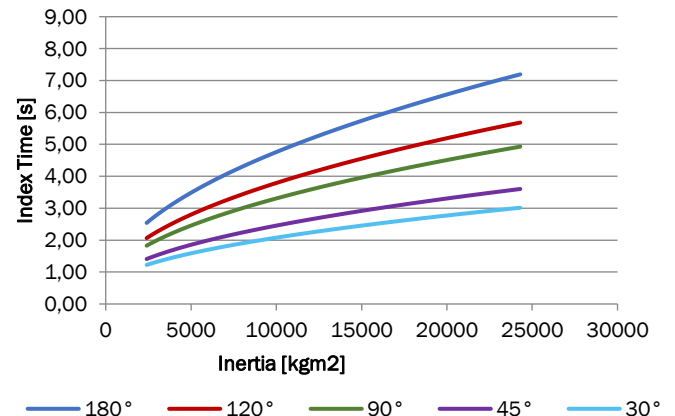
Drive: SEW Bevel gear and servo geared motor

Specifications:

- Accuracy 43''
 - Repeatability 21''
- | *without control, purely mechanical*



Performance EDH+960:



Product details:

www.expert-tuenkers.de/products

Contact

www.expert-tuenkers.de > Sales

For further information and project inquiries please contact us at sales@expert-tuenkers.de

*Index times were determined for standard configurations, Deviation possible.