

Accessories for EXPERT-TÜNKERS rotary tables and trunnion drives of EDH+ Series and EDX Series

Why accessories?

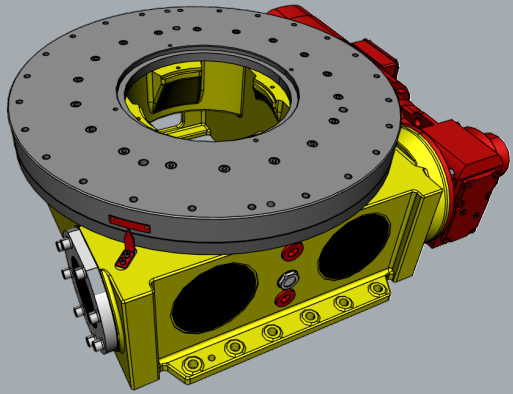
EXPERT-TÜNKERS is manufacturer of rotary tables and trunnion drives.

On request we have also supplied you with the appropriate accessories.

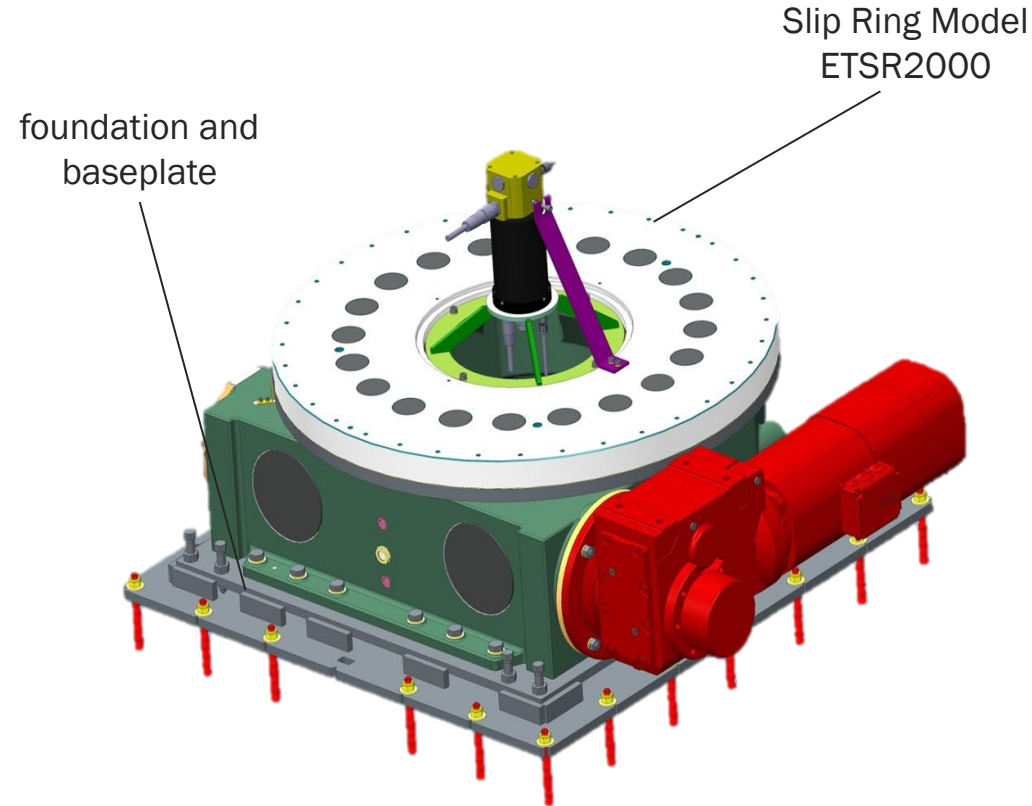
Advantages :

- Everything from one hand
- Reduced interfaces
- Complete responsibility for the turntable system
- Pre-assembled components such as
EXPERT-TÜNKERS Slip Ring Model ETSR2020
- Calculable costs for more planning security
- Carrying out maintenance and inspection work by qualified personnel
- Ensuring your production

Accessories rotary table



Optionally we offer you:



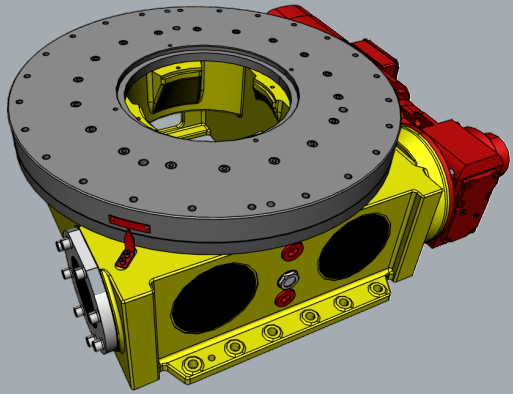
SmartTurn Control
for rotary tables and trunnion
drives of the EDX Series



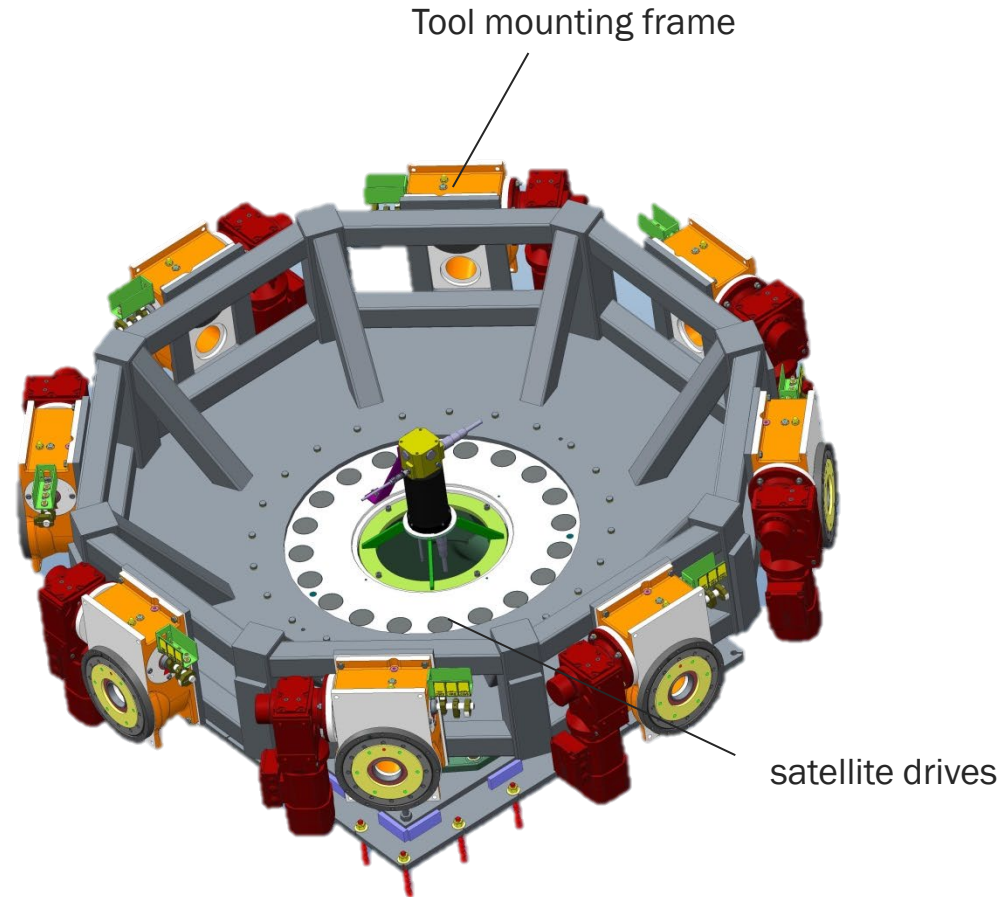
Electrical accessories
(Frequency converter, cables)



Accessories rotary table



Optionally we offer you:



Accessories trunnion drives

Optionally we offer you:

Electrical accessories
(Frequency converter, cables)



Slip Ring Model ETSR2020

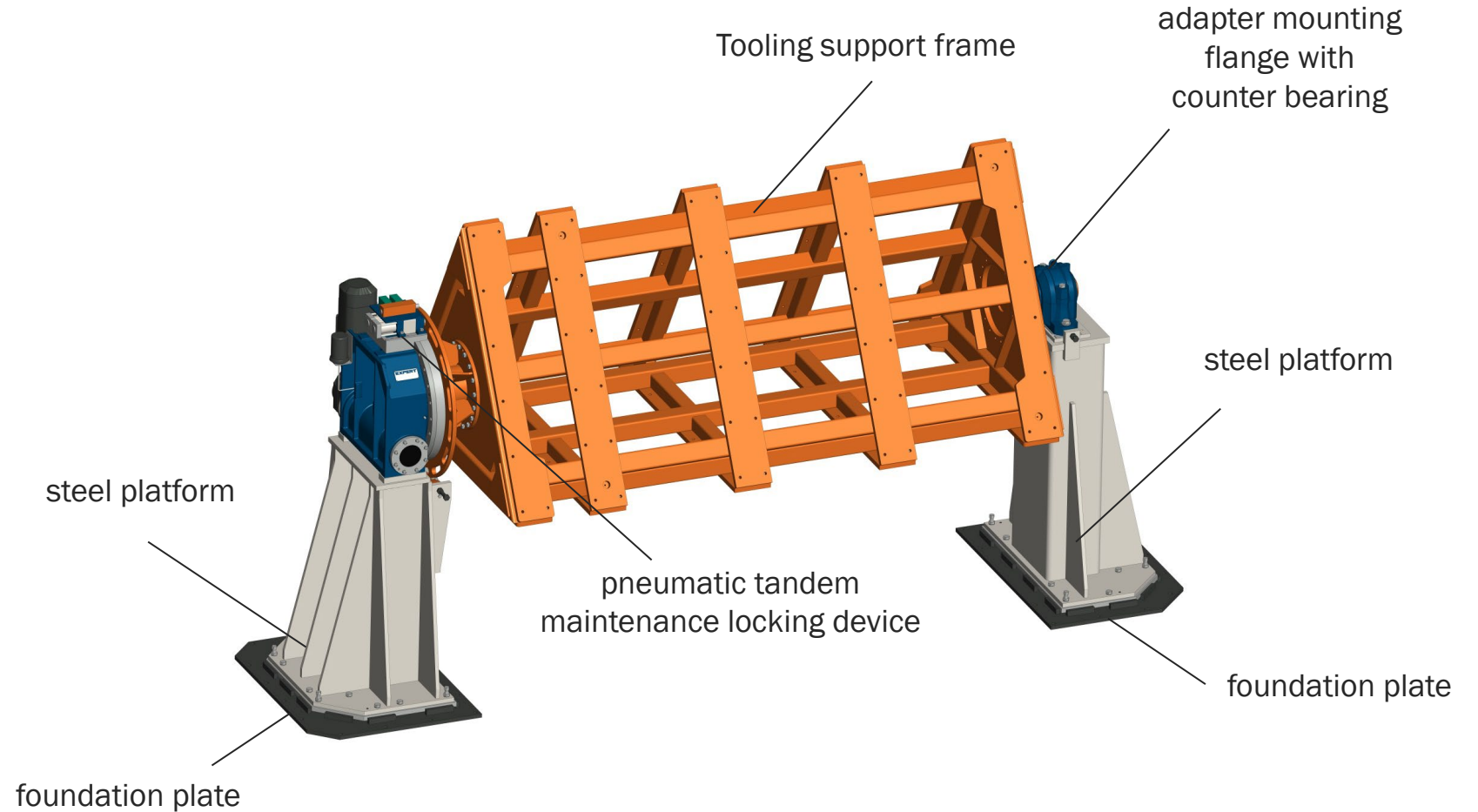


SmartTurn Control
for rotary tables and trunnion
drives of the EDX Series



Accessories trunnion drives

Optionally we offer you:



Optional service

- Maintenance and inspection
- Convenient maintenance contracts for EXPERT-TÜNKERS products
- Remote Service
(EXPERT-TÜNKERS Remote Service and Remote Diagnosis online)
- Sign off

THANK YOU



 **TÜNKERS**[®]
Erfindergeist serienmäßig.

